



# **AirLink GX Series**

## **Hardware User Guide**



**SIERRA**  
WIRELESS®

4114008  
Rev 10



## Important Notice

Due to the nature of wireless communications, transmission and reception of data can never be guaranteed. Data may be delayed, corrupted (i.e., have errors) or be totally lost. Although significant delays or losses of data are rare when wireless devices such as the Sierra Wireless modem are used in a normal manner with a well-constructed network, the Sierra Wireless modem should not be used in situations where failure to transmit or receive data could result in damage of any kind to the user or any other party, including but not limited to personal injury, death, or loss of property. Sierra Wireless accepts no responsibility for damages of any kind resulting from delays or errors in data transmitted or received using the Sierra Wireless modem, or for failure of the Sierra Wireless modem to transmit or receive such data.

## Safety and Hazards

Do not operate the Sierra Wireless modem in areas where blasting is in progress, near medical equipment, near life support equipment, or any equipment which may be susceptible to any form of radio interference. In such areas, the Sierra Wireless modem **MUST BE POWERED OFF**. The Sierra Wireless modem can transmit signals that could interfere with this equipment.

The driver or operator of any vehicle should not operate the Sierra Wireless modem while in control of a vehicle. Doing so will detract from the driver or operator's control and operation of that vehicle. In some states and provinces, operating such communications devices while in control of a vehicle is an offence.

The GX400 and GX440 are classified to ANSI/ISA 12.12.01-2011 and CSA C22.2 No 213-M(1987)(R2011) and are suitable for use in Class 1, Division 2, Groups A, B, C and D classified Hazardous Locations.

The GX450 is classified to ANSI/ISA 12.12.01-2013 and CSA C22.2 No 213-M(1987)(R2013) and are suitable for use in Class 1, Division 2, Groups A, B, C and D classified Hazardous Locations.

The following warnings and instructions apply to all GX platforms:

---

**Warning:** *EXPLOSION HAZARD—SUBSTITUTION OF COMPONENTS MAY IMPAIR SUITABILITY FOR CLASS I, DIVISION 2.*

---



---

**Avertissement:** *RISQUE D'EXPLOSION-LA SUBSTITUTION DE COMPOSANTS PEUT RENDRE CE MATERIEL INACCEPTABLE POUR LES EMPLACEMENTS DE CLASSE I, DIVISION 2.*

---



---

**Warning:** *EXPLOSION HAZARD—DO NOT DISCONNECT WHILE CIRCUIT IS LIVE UNLESS THE AREA IS KNOWN TO BE NON-HAZARDOUS.*

---



---

**Avertissement:** *RISQUE D'EXPLOSION-NE PAS DEBRANCHER TANT QUE LE CIRCUIT EST SOURS TENSION, A MOINES QU'IL NE S'AGISSE D'UN EMPLACEMENT NON DANGEREUX.*

---



---

**Warning:** *DO NOT USE THE USB CONNECTOR IN A HAZARDOUS AREA.*

---

---

**Avertissement:** *NE PAS UTILISER DE CONNECTEUR USB DANS LES ENVIRONNEMENTS DANGEREUX.*

---

**Warning:** *DO NOT USE THE RESET BUTTON IN A HAZARDOUS AREA.*

---

**Avertissement:** *NE PAS UTILISER LE BOUTON DE RESET DANS UN ENVIRONNEMENT DANGEREUX.*

---

## Limitation of Liability

The information in this manual is subject to change without notice and does not represent a commitment on the part of Sierra Wireless. SIERRA WIRELESS AND ITS AFFILIATES SPECIFICALLY DISCLAIM LIABILITY FOR ANY AND ALL DIRECT, INDIRECT, SPECIAL, GENERAL, INCIDENTAL, CONSEQUENTIAL, PUNITIVE OR EXEMPLARY DAMAGES INCLUDING, BUT NOT LIMITED TO, LOSS OF PROFITS OR REVENUE OR ANTICIPATED PROFITS OR REVENUE ARISING OUT OF THE USE OR INABILITY TO USE ANY SIERRA WIRELESS PRODUCT, EVEN IF SIERRA WIRELESS AND/OR ITS AFFILIATES HAS BEEN ADVISED OF THE POSSIBILITY OF SUCH DAMAGES OR THEY ARE FORESEEABLE OR FOR CLAIMS BY ANY THIRD PARTY.

Notwithstanding the foregoing, in no event shall Sierra Wireless and/or its affiliates aggregate liability arising under or in connection with the Sierra Wireless product, regardless of the number of events, occurrences, or claims giving rise to liability, be in excess of the price paid by the purchaser for the Sierra Wireless product.

## Patents

This product may contain technology developed by or for Sierra Wireless Inc. This product includes technology licensed from QUALCOMM®. This product is manufactured or sold by Sierra Wireless Inc. or its affiliates under one or more patents licensed from InterDigital Group and MMP Portfolio Licensing.

## Copyright

© 2017 Sierra Wireless. All rights reserved.

## Trademarks

Sierra Wireless®, AirPrime®, AirLink®, ALEOS® and the Sierra Wireless logo are registered trademarks of Sierra Wireless.

Windows® and Windows Vista® are registered trademarks of Microsoft Corporation.

Macintosh® and Mac OS X® are registered trademarks of Apple Inc., registered in the U.S. and other countries.

QUALCOMM® is a registered trademark of QUALCOMM Incorporated. Used under license.

Other trademarks are the property of their respective owners.

---

## Contact Information

Sales information and technical support, including warranty and returns	Web: <a href="http://sierrawireless.com/company/contact-us/">sierrawireless.com/company/contact-us/</a> Global toll-free number: 1-877-687-7795 6:00 am to 6:00 pm PST
Corporate and product information	Web: <a href="http://sierrawireless.com">sierrawireless.com</a>





# Contents

<b>Introduction to the AirLink GX Series</b> .....	<b>11</b>
Introduction .....	11
Gateway Description .....	12
Front Panel .....	12
Rear Panel .....	12
X-Cards .....	14
ALEOS Software .....	14
ACEmanager .....	15
AirLink Management Service .....	15
Accessories .....	15
Ordering Information .....	16
Warranty .....	16
<b>Installation and Startup</b> .....	<b>17</b>
Tools and Materials Required .....	17
Installing the SIM Card .....	18
Installing the SIM Card—No X-Card present .....	19
Installing the SIM Card—Wi-Fi X-Card present .....	20
Installing the SIM Card—I/O X-Card present .....	23
Installing the SIM Card—Dual Ethernet X-Card present .....	26
Mounting the GX Series .....	29
Vehicle Mounting .....	30
Antenna Installation .....	31
Antenna Separation Recommendations .....	31
Antenna Recommendations .....	32
Mounting the GPS Antenna .....	33
Connecting the GX Series Gateway .....	33
LED Operation .....	34

Connecting a DC Power Cable . . . . .	36
Fusing . . . . .	37
Power Supply Conditioning . . . . .	37
Power Connector on the GX Series Gateway . . . . .	37
Serial Port . . . . .	40
X-Cards . . . . .	41
Wi-Fi X-Card . . . . .	42
I/O X-Card . . . . .	42
Dual Ethernet X-Card . . . . .	46
<b>Configuring AirLink GX Series Gateways . . . . .</b>	<b>49</b>
Connection Ports . . . . .	49
Configuring with ACEmanager . . . . .	49
Configuring with AirLink Management Service . . . . .	52
Configuring with oMM . . . . .	52
Configuring with AT Commands . . . . .	52
Reset to Factory Default Settings . . . . .	53
Recovery Mode . . . . .	53
<b>AirLink GX Series Specifications . . . . .</b>	<b>55</b>
RF Specifications . . . . .	55
Radio Frequency Bands . . . . .	55
Radio Module Conducted Transmit Power . . . . .	59
Host Interfaces . . . . .	62
<b>Regulatory Information . . . . .</b>	<b>69</b>
Federal Communications Commission Notice (FCC United States) . . . . .	69
Notice for Canadian Users . . . . .	69
Important Information for North American Users on Radiation Exposure . . . . .	70
EU (AirLink GX400 and GX450 Only) . . . . .	72



<b>Accessories</b> .....	<b>75</b>
DC Power Cable (Black Connector) .....	75
AC Power Adapter (Black Connector) .....	76
AC Power Adapter Input .....	76
AC Power Adapter Output .....	76
AC Power Adapter Environmental Specifications .....	77
AC Power Adapter Reliability and Quality Control .....	77
AC Power Adapter Safety Standards .....	77
AC Power Adapter EMC Standards .....	78
Hazardous Substances .....	78
Energy Efficiency .....	78
<b>Index</b> .....	<b>79</b>





# 1: Introduction to the AirLink GX Series

1

This chapter describes the Sierra Wireless AirLink® GX Series gateway, including a description of ALEOS® embedded software and the AirLink Management Service (ALMS) gateway management platform.

## Introduction

The AirLink GX Series gateway is a compact, intelligent and fully-featured cellular gateway that provides real-time wireless capabilities for fixed and mobile applications such as:

- Public safety vehicle deployments
- Public transit systems
- Energy and utilities
- Remote asset monitoring
- Backup broadband connectivity

The AirLink GX Series gateway has multiple communication ports including serial, Ethernet, and USB ports. The power connector has one digital I/O pin for remote monitoring and control and one ignition sense pin to turn the gateway on and off and trigger the low power mode.

The AirLink GX Series gateway is available in the following variants:

- 4G LTE (GX440, GX450)
- 3G (GX400)

The AirLink GX Series gateway has several expansion options to add more capability. The following options are available:

- Wi-Fi (802.11 b/g/n)
- Input/Output (I/O) 15-pin connector which adds:
  - One additional RS-232 port
  - Four additional digital I/O pins
  - Four analog voltage sensing pins

The AirLink GX Series gateway, when coupled with the rich embedded intelligence provided by the embedded ALEOS software, is the perfect choice for a broad set of machine to machine solutions.

# Gateway Description

## Front Panel

The front panel has the following indicators and controls:



Figure 1-1: GX Series Front Panel

- **LEDs** – These show the gateway’s operating status. The LEDs are described in detail in [LED Operation](#) on page 34.
- **Reset Button** – Momentarily pressing and releasing this button reboots the GX Series gateway.

---

*Note: Holding the Reset button down for 7–10 seconds resets the GX Series gateway to its factory default settings.*

---

## Rear Panel

The rear panel has the following connectors and controls:

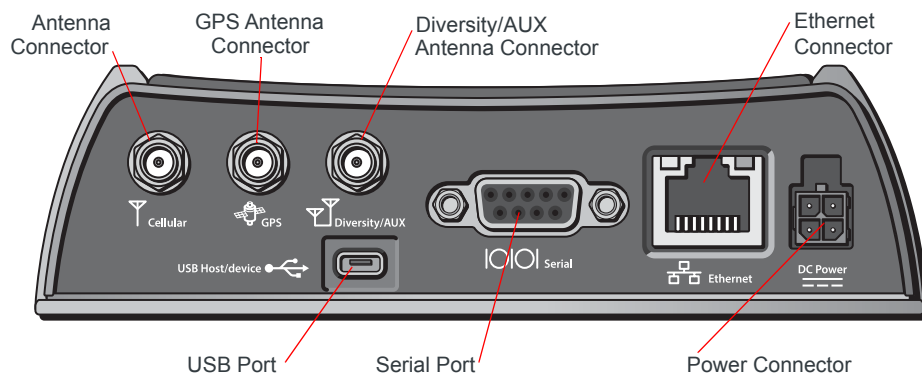


Figure 1-2: GX Series Rear Panel

- **Antenna Connector** – This is the radio’s receive and transmit port. (SMA connector)

---

*Note: For more information on antenna connection and use, see [Antenna Installation](#) on page 31.*

---

- **GPS Antenna Connector** – This connects an optional GPS antenna to the gateway. (SMA connector)
- 

*Note: The GPS antenna connector has a bias output and Sierra Wireless recommends that you use an active antenna for better sensitivity.*

---

- **Diversity/AUX Antenna Connector** – This connects an optional auxiliary antenna to the gateway for backup reception capability. (SMA connector)
- 

*Note: The Diversity/AUX connector is receive only on the AirLink GX400. On the AirLink GX440 and GX450, it transmits as well as receives.*

---

- **Ethernet Connector** – This RJ-45 connector connects a standard Ethernet cable to the gateway. This is used to connect a Windows PC to the gateway for configuration and diagnostic purposes or attaching Ethernet equipment to the gateway.
- **Power Connector** – This connects power to the gateway and provides additional inputs and outputs for the control and monitoring of external devices as well as triggering the low power mode. More information on its operation and how to use it is given in [Connecting a DC Power Cable](#) on page 36.

There are two types of optional power cables available from Sierra Wireless:

- An AC adapter (usually used for indoor, fixed applications where the gateway runs off line power)
- DC cables (usually used in vehicles or other installations where the gateway runs off battery power)

The gateway automatically starts when it senses qualified power on the power connector.

- **Serial Port** – This 9-pin connector provides standard RS-232 communication with a standard straight-through serial cable. It is used to communicate with industrial machines like motors, computers or controllers or for connection to a computer to configure the gateway with AT commands. It also supports features like TCP PAD and UDP PAD. For more information, see [Serial Port](#) on page 40.
- **USB Port** – This Micro AB connector accepts Micro A and Micro B plugs. You can use a connected Windows PC to monitor and configure the gateway.

When connected to a PC, the USB port becomes either a:

- Virtual Ethernet port (default)
- Virtual serial port

For information on configuring the USB port, refer to the ALEOS Software Configuration User Guide. The ALEOS User Guide and Windows drivers for this port are available at [source.sierrawireless.com](http://source.sierrawireless.com).

When using the USB port:

- Use a USB 2.0 cable
- Connect directly to your computer for best throughput

## X-Cards

The AirLink GX Series gateway has several optional, factory-installed, expansion cards (X-Cards) available to add more functions to the basic gateway. They are configurable with the ALEOS ACEmanager software and more information is available in the ALEOS Software Configuration User Guide.

The options are:

- **Wi-Fi**—Adds Wi-Fi capability to the gateway using the 802.11b/g/n standard
- **I/O**—Has a 15-pin connector which adds to the gateway:
  - One 4-wire RS-232 port
  - Four analog inputs
  - Four high-voltage/high-power digital I/Os with analog readout
- **Dual Ethernet**—Adds two 10/100 baseT Ethernet ports

For a more complete description of each option, see [X-Cards](#) on page 41.

## ALEOS Software

---

*Note: For detailed information on all of the features in ALEOS, refer to the ALEOS Software Configuration User Guide, available from [source.sierrawireless.com](http://source.sierrawireless.com).*

---

ALEOS, the embedded core technology of the AirLink product line, provides:

- Simplified installation, operation and maintenance of any wireless solution
- An always-on, always-aware, intelligent two-way connection for mission-critical applications

ALEOS enables:

- Reverse Telnet
- Reliable Static Routing
- SNMP
- Persistent Network Connectivity
- Over-The-Air (OTA) Upgrades
- Wireless Optimized TCP/IP
- Real-Time Notification
- Real-Time GPS Reporting
- GPS Store and Forward
- Packet Level Diagnostics
- Gateway Management & Control

Sierra Wireless has two tools for monitoring and configuring AirLink GX Series gateways:

- **ACEmanager** – A web-based configuration tool for configuring a single AirLink gateway
- **AirLink Management Service (ALMS)** – A cloud-based gateway management service for monitoring and configuring fleets of AirLink gateways

GX Series gateways also accept AT Commands.

## ACEmanager

ACEmanager is a web-based application used to configure and monitor GX Series gateways. ACEmanager:

- Simplifies deployment
- Provides extensive monitoring, control and management capabilities
- Enables you to configure your gateway to meet your needs
- Monitors and controls your AirLink gateway remotely and in real-time
- Is accessed through a web browser connected to the gateway

See [Configuring with ACEmanager](#) on page 49 to learn how to access ACEmanager.

## AirLink Management Service

AirLink Management Service (ALMS) is a cloud-based application, accessible from your web browser. It provides remote monitoring and configuration for multiple AirLink ALEOS gateways from a single computer.

ALMS features include:

- Gateway management as a service
- Advanced monitoring dashboards and alert notifications ensuring you always know the status of your GX Series gateways
- Detailed configuration of all ALEOS parameters, including templates providing batch updates of pre-set configurations across multiple gateways
- Over-the-air (OTA) firmware upgrades for all of your AirLink gateways with a single operation

To connect with ALMS, see [Configuring with AirLink Management Service](#) on page 52.

For more information on ALMS, call your AirLink reseller or visit: [www.sierrawireless.com/ALMS](http://www.sierrawireless.com/ALMS).

## Accessories

### Included with AirLink GX450

- DC power cable
- Mounting screws
- Quick Start Guide

### Included with AirLink GX440 and GX400

- DC power cable or AC power adapter with international plug options
- Mounting screws
- Quick Start Guide

### **Order separately**

- Ethernet cable
- DB-9 serial cable (6 ft and 25 ft lengths)
- USB cable
- Null modem cable
- LTE antenna

## **Ordering Information**

For more information or to place an order, contact:  
[airlinksales@sierrawireless.com](mailto:airlinksales@sierrawireless.com).

## **Warranty**

The GX450 has a 3 year standard warranty, with an optional 2 year warranty extension.

The GX400 and GX440 have a 5 year standard warranty.



## 2: Installation and Startup

# 2

This chapter shows you how to connect, install and start the Sierra Wireless AirLink GX Series gateway. It also describes the front panel LEDs. Also described are the optional X-Cards available from Sierra Wireless that add more functions to the basic gateway.

### Tools and Materials Required

- If needed, a SIM card for your gateway as provided by your mobile network operator  
If you are installing a SIM card, see [Installing the SIM Card](#) on page 18 for a list of required tools.
- Laptop computer with Ethernet cable
- SMA cellular antenna
- If used, a GPS antenna
- If used, a second SMA cellular antenna
- If used, a straight-through 9-pin connection cable for the RS-232 port
- Power cable, either the DC cable or AC cable ordered from Sierra Wireless or your own custom-made cable

---

*Note: Custom-made cables must incorporate strain relief and use the correct type of power connector to prevent intermittent connection to the gateway.*

---

---

*Note: The gateway has a hardened case for use in industrial and extreme environments. If you are installing it in these types of environments, use cables designed and specified for use in these types of environment to avoid cable failure.*

---

## Installing the SIM Card

All GX Series gateways except the GX400 for Sprint and Verizon networks require a SIM card. If the SIM card has not already been installed by your Mobile Network Operator, install the SIM card before installing or connecting any external equipment or power to the AirLink gateway.

To install a SIM card, you need:

- SIM card for your account (provided by your Mobile Network Operator)
- 2 mm Allen (hex) wrench or a Phillips #1 screwdriver, depending on the screw type used on the black decorative cover
- If your GX Series gateway has a Serial I/O X-Card installed:
  - Small adjustable torque wrench
  - 4 mm nut driver or socket that works with the torque wrench
- If your GX Series gateway has a Wi-Fi X-Card installed:
  - Small adjustable torque wrench
  - 8 mm socket—long enough to fit over the SMA antenna connector

The procedure for installing a SIM card varies depending on whether or not the GX Series gateway has an X-Card installed, and if so, the type of X-Card present. Follow the appropriate instructions for your gateway:

- [Installing the SIM Card—No X-Card present](#) on page 19
- [Installing the SIM Card—Wi-Fi X-Card present](#) on page 20
- [Installing the SIM Card—I/O X-Card present](#) on page 23
- [Installing the SIM Card—Dual Ethernet X-Card present](#) on page 26

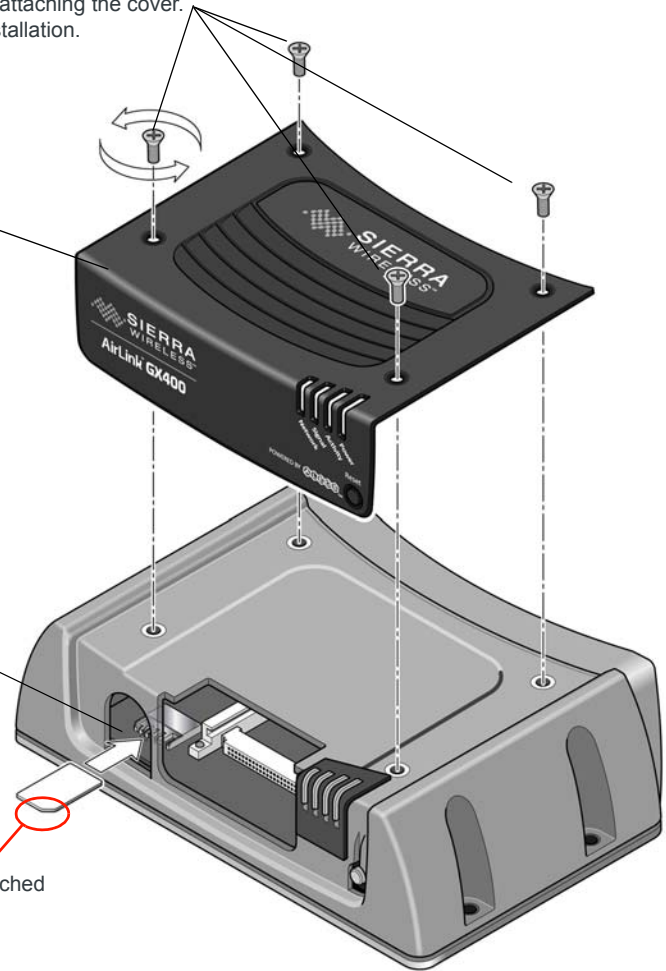
## Installing the SIM Card—No X-Card present

- 1) Remove the four screws attaching the cover.  
Save the screws for reinstallation.

- 2) Remove the cover.

- 3) Slide the SIM card into the SIM card holder.

Note the direction of notched corner of SIM card for proper alignment.



- 4) Use the screws you saved in step 1 to reattach the cover. Torque the screws to 5 in-lb. (0.6 N-m).

Figure 2-1: SIM Card Installation, with no X-Card present

## Installing the SIM Card—Wi-Fi X-Card present

**Important:** Failure to follow these instructions carefully may damage the X-Card and void the warranty agreement.

To install a SIM card in a GX Series gateway with a Wi-Fi X-Card installed:

1. Unscrew the 8 mm hexagonal nut on the Wi-Fi SMA antenna connector at the front of the gateway, using the socket and wrench. Then slide off the nut and lock washer. Save the nut and washer. These are used again.
2. Remove the four screws used to secure the black decorative cover. Use a 2 mm Allen (hex) wrench or a Phillips #1 screwdriver, depending on the screw type used on the black decorative cover. Save the screws for reinstallation.

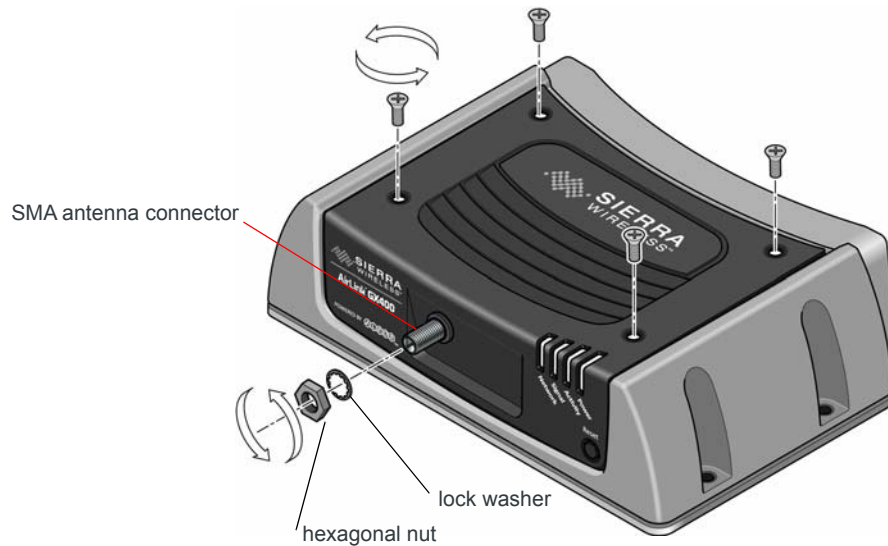
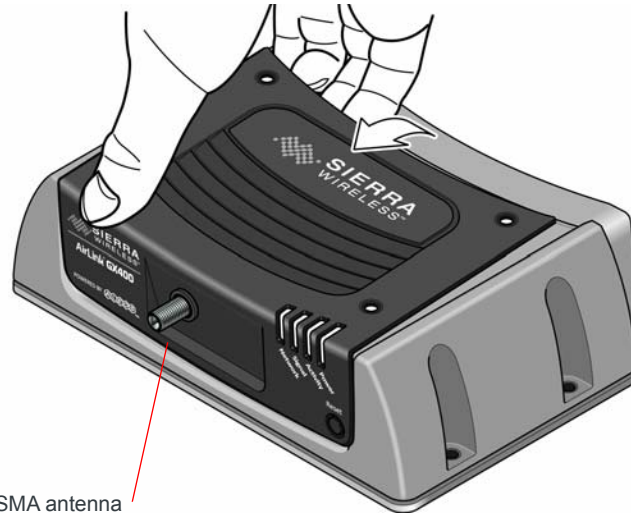


Figure 2-2: Removing the screws, nut and washer (Wi-Fi X-Card installed)

3. Gently tilt up the back of the decorative black cover and then move the cover forward so that it slides over the Wi-Fi SMA antenna connector.



Wi-Fi SMA antenna

Figure 2-3: Tilting the cover (Wi-Fi X-Card installed)

4. Continue to slide the cover horizontally until it clears the SMA antenna connector.

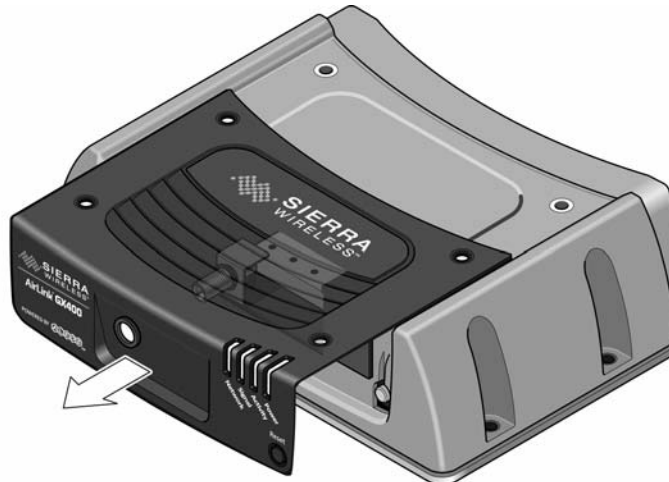


Figure 2-4: Removing the cover (Wi-Fi X-Card installed)

5. Lift the cover to remove it completely. Save the cover. It is used later.
6. Insert the SIM card, with the gold contacts facing down and the notch on the right side, as shown in the following illustration.

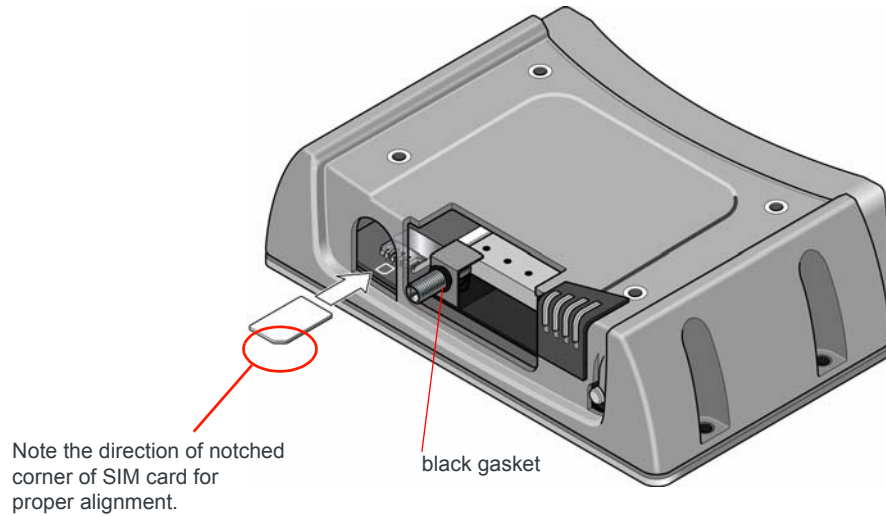


Figure 2-5: Inserting the SIM card (Wi-Fi X-Card installed)

7. Ensure the black gasket is in place at the base of the SMA antenna connector.
8. Re-install the decorative black cover:
  - a. Line up the SMA antenna connector with the hole in the cover.
  - b. Tilt the rear of the cover slightly to make sure the front bottom of the cover seats in the front ridge. Slide the cover into place, and then push the top of the cover down.

It may require some force to make sure the 4 holes in the cover line up with the threaded holes on the top of the gateway. You may need to push from the front as well to ensure that the holes line up properly.
9. Use the 4 screws saved in step 2 to re-attach the decorative black cover. Torque the screws to 5 in-lb. (0.6 N-m). Ensure that the screws are tight so that the seal underneath the decorative black cover is tight against the gateway.

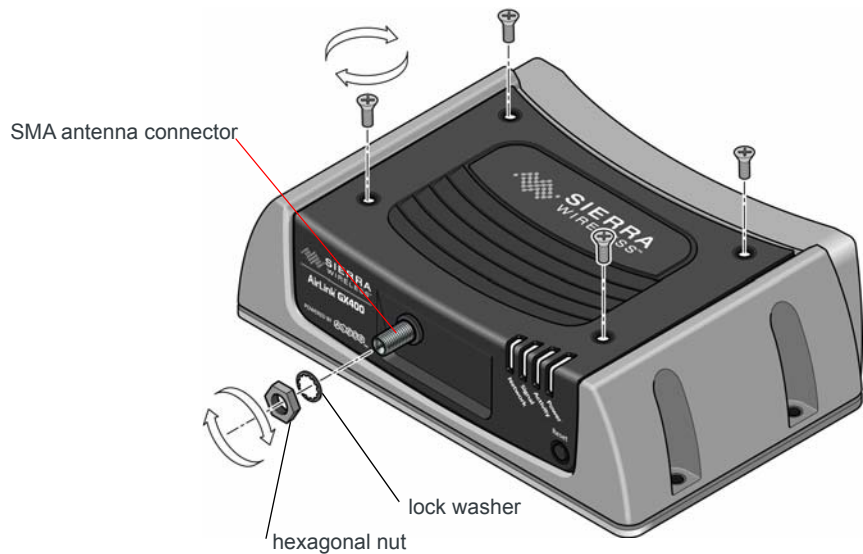


Figure 2-6: Replacing the screws, nut, and washer (Wi-Fi X-Card installed)

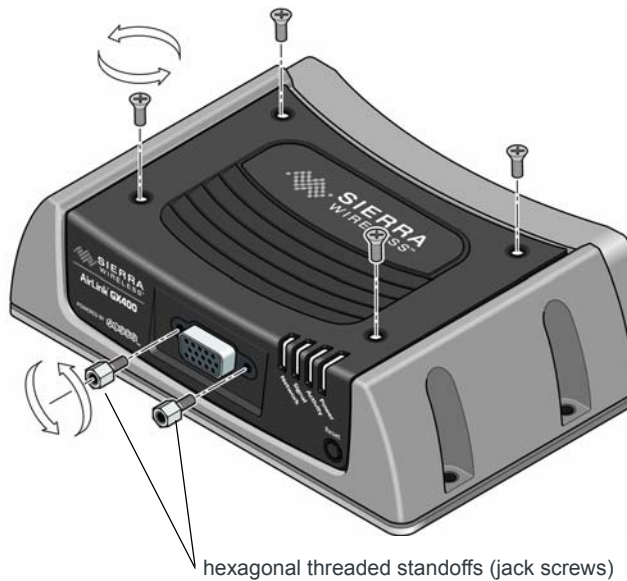
10. Place the lock washer onto the SMA antenna connector and move it to the back of the connector, so it is touching the decorative black cover.
11. Install, then tighten the nut with a 5/16" or 8 mm socket torque wrench to a torque specification of 8 in-lbs (0.9 N-m).

## Installing the SIM Card—I/O X-Card present

**Important:** Failure to follow these instructions carefully may damage the X-Card and void the warranty agreement.

To install a SIM card in a GX Series gateway with an I/O X-Card installed:

1. Unscrew the two 4-40 male to female hexagonal threaded standoffs (jack screws) on either side of the serial port at the front of the gateway, using the socket and wrench. Keep the hexagonal threaded standoffs for reinstallation.
2. Remove the four screws used to secure the black decorative cover. Use a 2 mm Allen (hex) wrench or a Phillips #1 screwdriver, depending on the screw type used on the decorative black cover. Save the screws for reinstallation.



hexagonal threaded standoffs (jack screws)  
*Figure 2-7: Removing the screws and threaded standoffs (I/O X-Card installed)*

3. Gently tilt up the back of the decorative black cover and then move the cover forward so that it slides over the serial port.



*Figure 2-8: Tilting the cover (I/O X-Card installed)*

4. Continue to slide the cover horizontally until it clears the serial port.



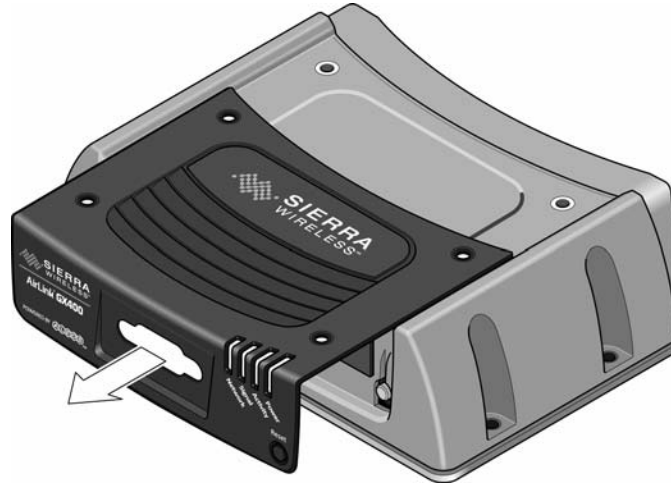
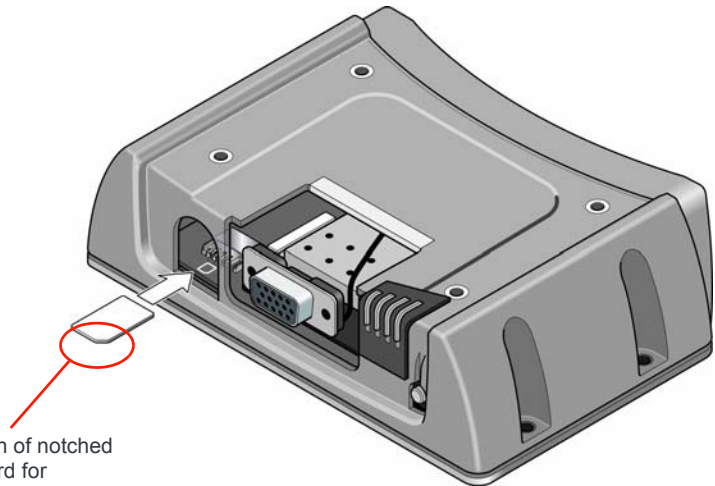


Figure 2-9: Removing the cover (I/O X-Card installed)

5. Lift the cover to remove it completely. Save the cover. It is used again.
6. Insert the SIM card, with the gold contacts facing down and the notch on the right side, as shown in the following illustration.



Note the direction of notched corner of SIM card for proper alignment.

Figure 2-10: Inserting the SIM card (I/O X-Card installed)

7. Install the decorative black cover:
  - a. Line up the serial port with the hole in the cover.
  - b. Tilt the rear of the cover slightly to make sure the front bottom of the cover seats in the front ridge. Slide the cover into place, and then push the top of the cover down.

It may require some force to make sure the 4 holes in the cover line up with the threaded holes on the top of the unit. You may need to push from the front as well to ensure that the holes line up properly.
8. Use the four screws you saved in step 2 to re-attach the decorative black cover. Torque the screws to 5 in-lb. (0.6 N-m). Ensure that the screws are

tight so that the seal underneath the decorative black cover is tight against the gateway.

9. Re-install the screw nuts you saved in step 1 to either side of the serial port. (Finger tight is sufficient.)

---

*Note: The screw nuts must be re-installed to maintain the IP rating for the AirLink gateway.*

---

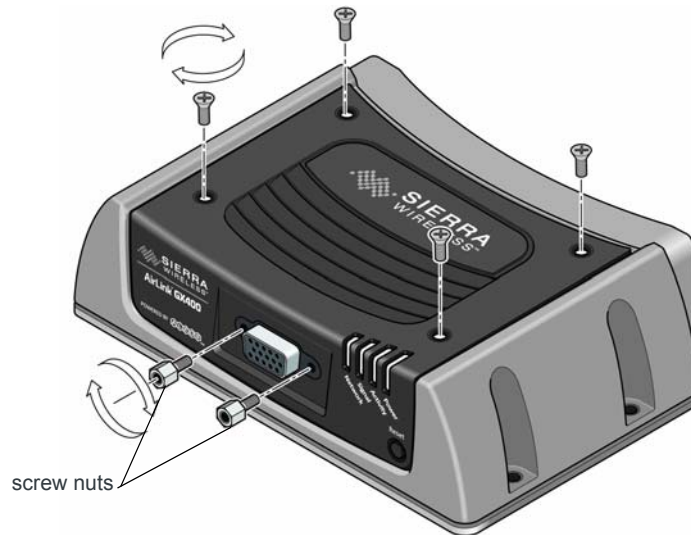


Figure 2-11: Replacing the screws and nuts (I/O X-Card installed)

## Installing the SIM Card—Dual Ethernet X-Card present

---

**Important:** Failure to follow these instructions carefully may damage the X-Card and void the warranty agreement.

---

To install a SIM card in a GX Series gateway with a Dual Ethernet X-Card installed:

1. Remove the four screws used to secure the black decorative cover. Use a 2 mm Allen (hex) wrench or a Phillips #1 screwdriver, depending on the screw type used on the black decorative cover. Save the screws for reinstallation.

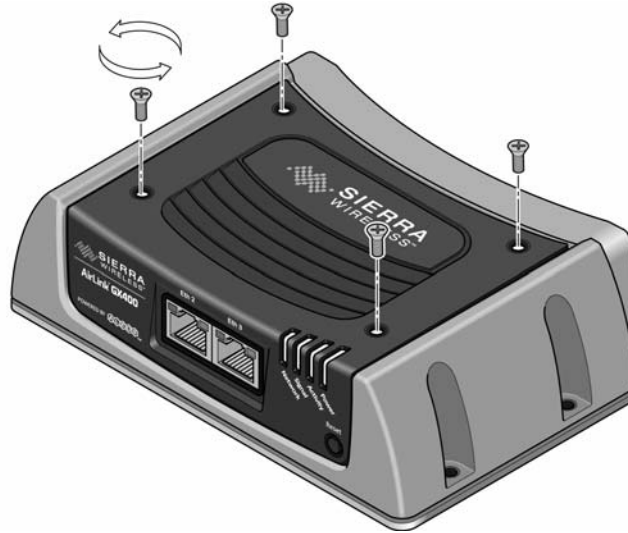


Figure 2-12: Removing the screws (Dual Ethernet X-Card installed)

2. Gently tilt up the back of the decorative black cover and then move the cover forward so that it slides over the Ethernet ports, being careful not to damage the rubber gasket.



Figure 2-13: Tilting the cover (Dual Ethernet X-Card installed)

3. Continue to slide the cover horizontally until it clears the Ethernet ports.

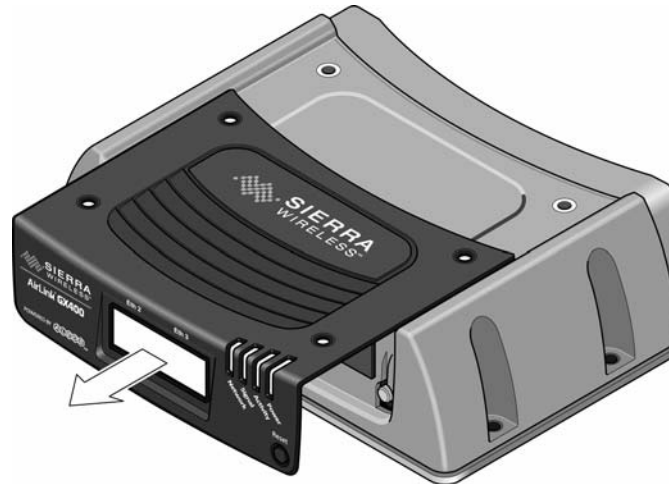
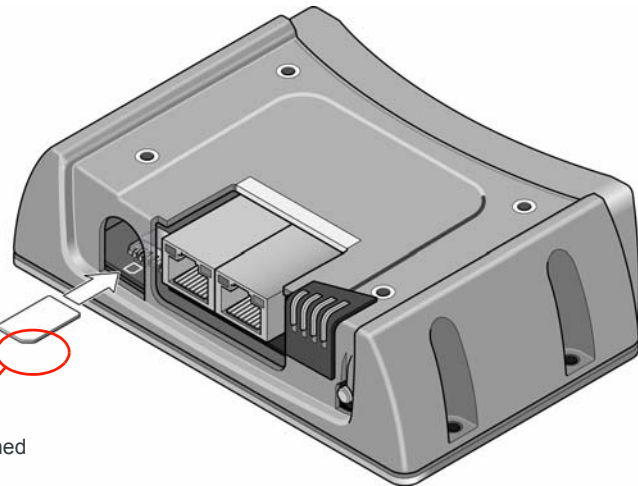


Figure 2-14: Removing the cover (Dual Ethernet X-Card installed)

4. Lift the cover to remove it completely. Save the cover. It is used again.
5. Insert the SIM card, with the gold contacts facing down and the notch on the right side, as shown in the following illustration.



Note the direction of notched corner of SIM card for proper alignment.

Figure 2-15: Inserting the SIM card (Dual Ethernet X-Card installed)

6. Install the decorative black cover:
  - a. Line up the Ethernet ports with the hole in the cover.
  - b. Tilt the rear of the cover slightly to make sure the front bottom of the cover seats in the front ridge. Slide the cover into place, and then push the top of the cover down. Ensure that the black gasket around the Ethernet ports is snug, with no gaps and the gasket is not folded in on itself.

It may require some force to make sure the 4 holes in the cover line up with the threaded holes on the top of the unit. You may need to push from the front as well to ensure that the holes line up properly.

- Use the 4 screws saved in step 1 to re-attach the decorative black cover. Torque the screws to 5 in-lb. (0.6 N-m). Ensure that the screws are tight so that the seal underneath the decorative black cover is tight against the gateway.

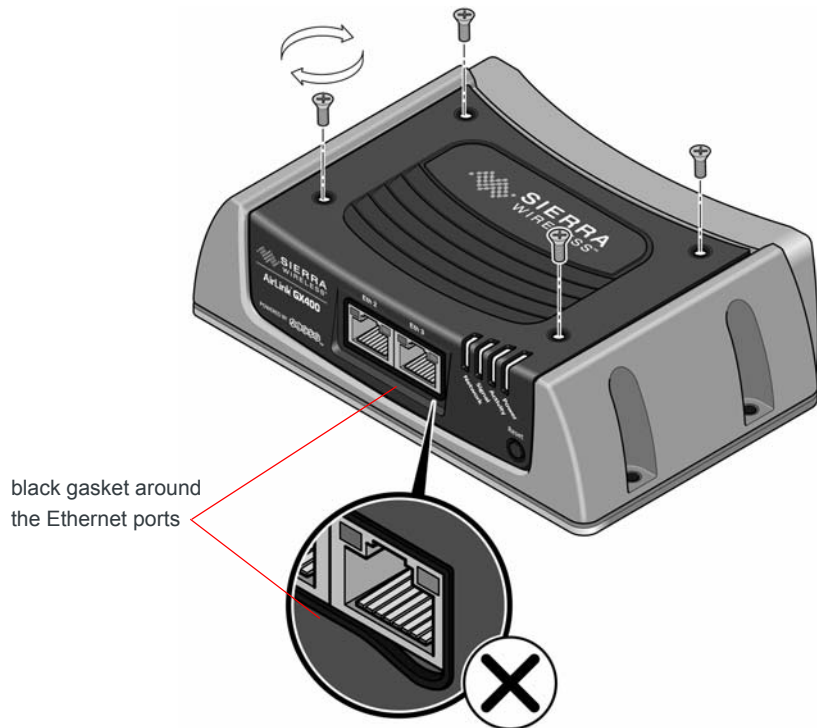


Figure 2-16: Replacing the screws (Dual Ethernet X-Card installed)

## Mounting the GX Series

**Warning:** This gateway is not intended for use close to the human body. Antennas should be at least 8 inches (20 cm) away from the operator.

**Note:** The gateway has a hardened case for use in industrial and extreme environments. If you are installing it in these types of environments, use cables designed and specified for use in these types of environments to avoid cable failure.

Mount the gateway where:

- There is easy access to the cables
- Cables are not bent, constricted, close to high amperages or exposed to extreme temperatures
- Cables are secured to ensure reliable connections
- The front panel LEDs are easily visible
- There is adequate airflow

- It is kept free from direct exposure to the elements, such as sun, rain, dust, etc.

In addition to the four mounting holes on the side of the gateway's body, there are four holes on the bottom plate to attach the gateway to a mounting surface.

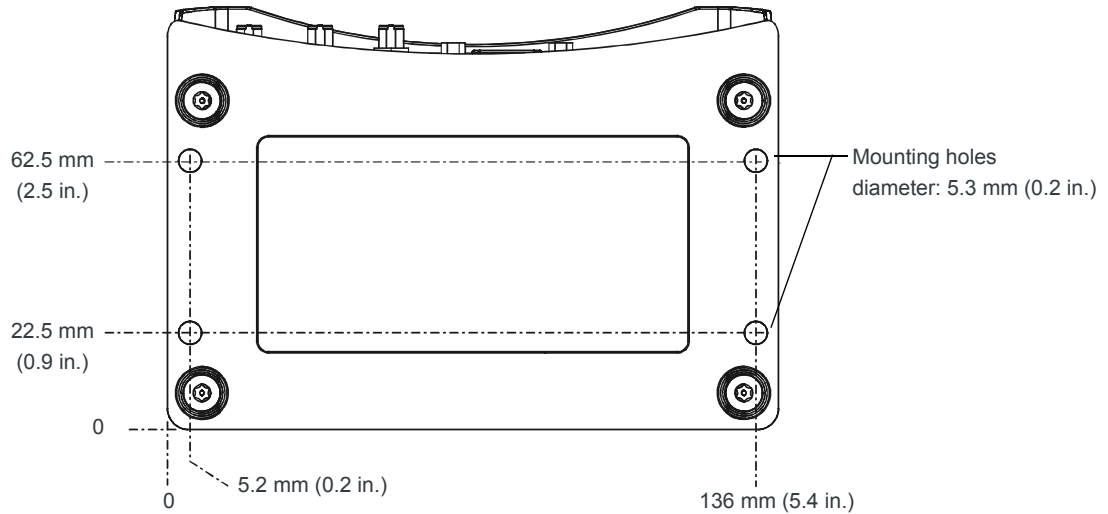


Figure 2-17: GX Series Bottom Plate and Mounting Holes

## Grounding the GX Series Gateway Chassis

For DC installations (with a fixed “system” ground reference), Sierra Wireless recommends always grounding the GX chassis or the mounting bracket to the system ground reference. To ensure a good grounding reference, use a short wire with a gauge of 18 AWG or larger connected to one of the mounting holes with the screws and lock washers provided in the supplied mounting kit.

## Vehicle Mounting

The AirLink GX Series gateway must be installed by qualified personnel in accordance with the vehicle manufacturer's specifications.

When installing the gateway in a vehicle:

- Keep it out of direct exposure to the weather (sun, rain, etc.). The best locations are in places like a car trunk or in a container behind the seats.
- Place it where it will not be bumped or come into contact with people, cargo, tools, equipment, etc.

For information on connecting the power, see [Connecting a DC Power Cable](#) on page 36.

## Antenna Installation

Inadequate antenna separation between the transmit and diversity antennas creates unwanted interactions. This can cause reductions in:

- Antenna efficiency
- Transmit power
- Receiver sensitivity
- Data throughput
- Radio front-end life span

## Antenna Separation Recommendations

- The antennas should be separated so that there is at least 10 dB isolation over the entire operating frequency range.
- The separation should be at least 1/4 wavelength ( $\lambda$ ), but preferably 1/2 wavelength or greater of the lowest operating frequency. See [Table 2-1](#) for specific recommendations, based on your network service type and frequency.

*Note: The values in the table are approximate antenna separation values for monopole or dipole type antennas.*

**Table 2-1: Recommended Antenna Separation**

Service	Frequency (MHz)	Wavelength ( $\lambda$ ) (mm)	Best Antenna Separation (mm) ( $1/2 \lambda$ )	Good Antenna Separation (mm) ( $1/4 \lambda$ )
LTE	700	428	214	107
LTE	800	375	187	94
LTE	900	333	167	83
LTE	1800	167	83	42
LTE	2100	143	71	36
LTE	2600	115	58	29
WCDMA	850	353	176	88
WCDMA	900	333	167	83
WCDMA	1900	158	79	39
WCDMA	2100	143	71	36
CDMA/EV-DO	800	375	187	94
CDMA/EV-DO	1900	158	79	39
GSM/GPRS/EDGE	850	353	176	88

**Table 2-1: Recommended Antenna Separation**

Service	Frequency (MHz)	Wavelength ( $\lambda$ ) (mm)	Best Antenna Separation (mm) ( $1/2 \lambda$ )	Good Antenna Separation (mm) ( $1/4 \lambda$ )
GSM/GPRS/EDGE	900	333	167	83
GSM/GPRS/EDGE	1800	167	83	42
GSM/GPRS/EDGE	1900	158	79	39

**Table 2-2: Separation Examples for Specific Mobile Network Operator Bands**

Service	Band	Mobile Network Operator	Country	Min Frequency (MHz)	Wavelength ( $\lambda$ ) (mm)	Best Antenna Separation (mm) ( $1/2 \lambda$ )	Good Antenna Separation (mm) ( $1/4 \lambda$ )
LTE	13	Verizon	US	746	401.8665657	201	100
LTE	17	AT&T	US	704	425.8415597	213	106
LTE	4	Bell/Rogers/Telus	Canada	1710	175.3172269	88	44

## Antenna Recommendations

---

*Note: Do not remove the diversity antenna. The diversity antenna helps the gateway achieve the maximum network coverage. The gateway works without one installed, but with reduced network coverage.*

---

*Note: If the antennas are located far away from the gateway, keep the cables as short as possible to prevent the loss of antenna gain.*

---

**Warning:** *The antenna should not exceed the maximum gain specified in [Maximum Antenna Gain \(Gain D'antenne Maximal\)](#) on page 71. In more complex installations (such as those requiring long lengths of cable and/or multiple connections), you must follow the maximum dBi gain guidelines specified by the radio communications regulations of the Federal Communications Commission (FCC) or Industry Canada or your country's regulatory body (if used outside the US). Also see [Important Information for North American Users on Radiation Exposure](#) on page 70 for more information.*

---



## Mounting the GPS Antenna

Mount the antenna where it has a good view of the sky such as on the roof, the dashboard or the rear panel. It should see at least 90° of the sky.

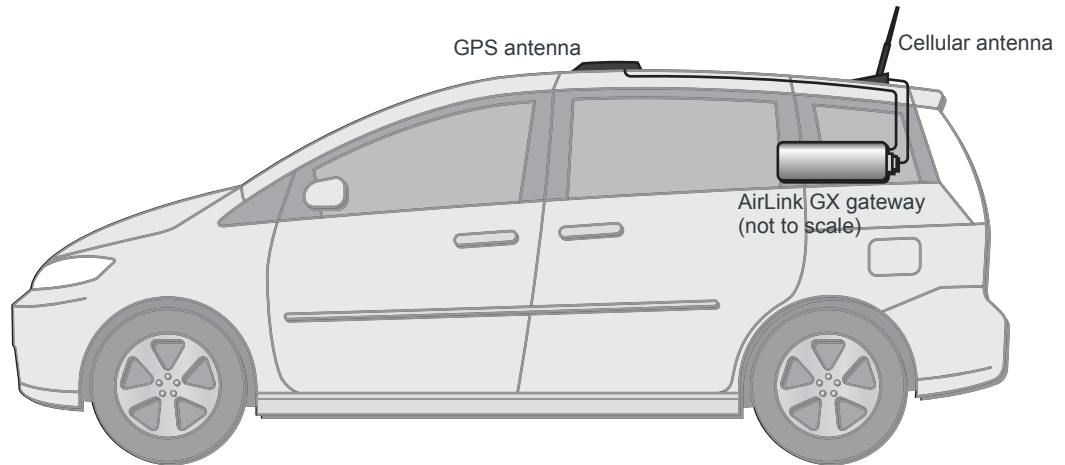


Figure 2-18: Mounting the GPS Antenna

## Connecting the GX Series Gateway

*Note: Route cables so that they are protected from damage and will not be snagged or pulled on. There should be no binding or sharp corners in the cable routing. Excess cabling should be bundled and tied off. Make sure the cables are secured so their weight will not loosen the connector from the gateway over time.*

1. Connect the RF antenna to the antenna connector.
2. If used, connect the GPS antenna to the GPS antenna connector.
3. If used, connect an RF antenna to the Diversity/AUX antenna connector.
4. Connect the power cable to the gateway, and if used, to the external devices to be controlled/monitored.
5. Attach a laptop to the gateway with the Ethernet cable.

*Note: For details about the power connector, see [Connecting a DC Power Cable](#) on page 36. The battery connector cable should be no longer than 10 feet (3 meters).*

The gateway starts automatically as soon as it receives power. If it fails to start, ensure that the:

- Power connector is plugged in
- Power cable is connected to power (line or battery power)
- Power is turned on or that the battery is fully charged
- Ignition Sense (pin 3) is connected to the battery or power source (see [Connecting a DC Power Cable](#) on page 36 for details)

6. If used, attach a gateway or computer to the RS-232 port and/or the USB port.

For information on configuring the GX Series gateway, see [Configuring AirLink GX Series Gateways](#) on page 49.

## LED Operation

### Power-up and Reboot

On power-up or reboot, all LEDs turn red, then amber, then green. They then go through a blinking sequence that ends with the Power LED green and all the other LEDs off. Once the other LEDs resume their normal operating behavior, the reboot is complete.

To reboot the gateway:

- In ACEmanager, click the Reboot button at the top right of the screen.
- Press and release the Reset button on the gateway (see [Front Panel](#) on page 12). Do not hold the button down for more than a few seconds. (If you hold it for 7–10 seconds, the gateway resets to factory default settings.)

### LED Behavior

**Table 2-3: LED Behavior**

LED	Color / Pattern	Description
<b>Power</b>	<b>Off</b>	No power or input voltage $\geq 36$ VDC or $\leq 9$ VDC
	<b>Solid Green</b>	Gateway is connected to nominal power and is operating normally.
	<b>Flashing Amber / Green</b>	Gateway has a GPS fix
	<b>Solid Amber</b>	Gateway is entering low power mode or system low level boot.
	<b>Solid Red</b>	Gateway is not operational (failure or in low power mode).
<b>Signal</b>	<b>Solid Green</b>	Good signal (RSSI $\geq -85$ dBm)
	<b>Solid Amber</b>	Marginal signal ( $-100$ dBm $<$ RSSI $<$ $-85$ dBm)
	<b>Solid Red</b>	Poor signal ( $-110$ dBm $\leq$ RSSI $\leq$ $-100$ dBm)
	<b>Flashing Red</b>	No signal (RSSI $<$ $-110$ dBm)

Table 2-3: LED Behavior

LED	Color/Pattern	Description
<b>Network</b>	<b>Solid Green</b>	Network Ready — (LTE service available for GX440)
	<b>Flashing Amber/Green</b>	Network Ready — (No LTE service available for GX440)
	<b>Flashing Green (3 sec. on/1 sec. off)</b>	Network Ready—WAN over Wi-Fi (gateway in Wi-Fi client mode)
	<b>Flashing Green (1.0 sec. on/0.5 sec. off)</b>	Network Ready—Roaming (LTE service available for GX440)
	<b>Flashing Amber/Green/Off</b>	Network Ready—Roaming (No LTE service for GX440)
	<b>Flashing Amber</b>	No Service
	<b>Solid Amber</b>	Connecting to the network
	<b>Flashing Red</b>	Authentication/Negotiation failed (EV-DO only)
	<b>Solid Red</b>	Link Down No cellular network is present, no network coverage at current location, or the gateway is in radio passthru mode
<b>Activity (ALEOS 4.3.6 or earlier)</b>	<b>Off</b>	Normal operation
	<b>Flashing Green</b>	Traffic is being transmitted or received over the WAN interface.
<b>Activity (ALEOS 4.4.0 or later)</b>	<b>Off</b>	Normal operation
	<b>Flashing Green</b>	Traffic is being transmitted or received over the WAN interface.
	<b>Flashing Red</b>	Traffic is being transmitted or received over the serial port. (This behavior only appears if the AirLink GX Series gateway is configured to display it. Refer to the ALEOS Software Configuration Guide for details.)
	<b>Flashing Amber</b>	Traffic is being transmitted or received over both the WAN interface and the serial port. (This behavior only appears if the AirLink GX Series gateway is configured to display it. Refer to the ALEOS Software Configuration Guide for details.)
<b>ALL LEDs</b>	<b>Solid Amber</b>	When you press the reset button for more than 20 seconds, all the LEDs turning solid amber indicates when to release the reset button to enter Recovery mode. (See <a href="#">Recovery Mode</a> on page 53.)
	<b>Solid Red</b>	When you press the reset button for 7–10 seconds, all the LEDs turning solid red indicates when to release the reset button to reset the gateway to the factory default settings. (See <a href="#">Reset to Factory Default Settings</a> on page 53.)

## Ethernet LEDs

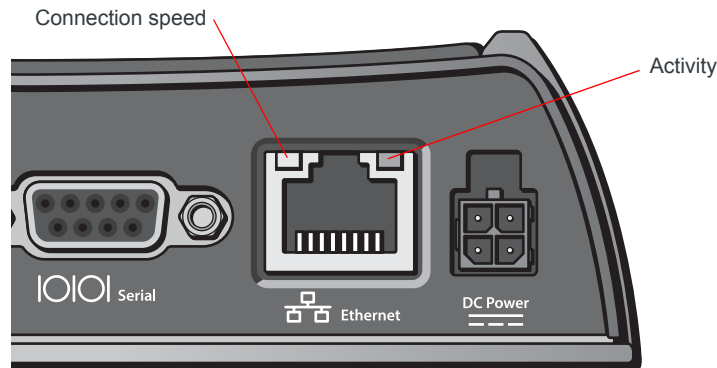


Figure 2-19: Ethernet LEDs

The Ethernet connector has two LEDs that indicate speed and activity. When looking into the connector:

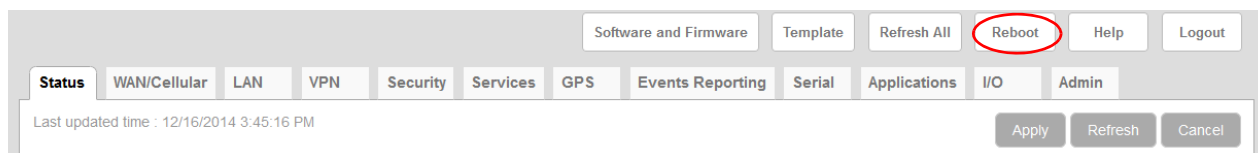
- **Activity**—The right LED is solid amber when a link is detected (the cable is plugged in) and blinks when there is activity.
- **Connection Speed**—The left LED is green to indicate a 100 Mbps connection and orange to indicate a 10 Mbps connection. It is off when no cable is connected.

## Power-up and Reboot

On power-up or reboot, the LEDs go through a booting sequence. When the boot is complete, the Power and Network LEDs should be green, signifying that the power is on, the GX Series gateway is connected to the wireless network, and there is a good signal. See [Table 2-3](#) on page 34 for detailed LED operation.

To reboot the GX Series gateway, either:

- In ACEmanager, click the Reboot button at the top right of the screen.



Or

- Press and release the Reset button on the GX Series gateway (see [Front Panel](#) on page 12).

## Connecting a DC Power Cable

The GX Series gateway has a four-pin power connector that has:

- Two pins connecting DC voltage to the gateway
- Two pins providing additional monitoring and control functions

---

## Fusing

For DC installations, Sierra Wireless recommends fusing the power input using a 2.0 A fast-acting fuse. Install the fuse on the positive line, as shown in [Figure 2-20](#) on page 38. For vehicle installations, use an automotive fuse.

## Power Supply Conditioning

For automotive applications, the supply voltage may momentarily drop below 9.0 V during engine cranking, causing the GX Series gateway to reboot. If this happens, the GX gateway restarts automatically and is ready for use once the reboot is complete. If your application requires the GX gateway to continue operating during engine cranking, add external power conditioning circuits to ensure the supply voltage does not drop below the rated value (9.0 V)

## Power Connector on the GX Series Gateway

If you are using the DC power cable to connect the GX Series gateway to a power source:

- Pin 1—Use the red wire in the DC cable to connect Pin 1 to the power source. Include a 2.0 A fast-acting fuse in the input power line. Sierra Wireless recommends using a continuous (unswitched) DC power source. For installations that require the device to be turned on/off, Sierra Wireless recommends using the Ignition Sense (Pin 3) input for this purpose.
- Pin 2—Use the black wire in the DC cable to connect Pin 2 to ground. See also [Grounding the GX Series Gateway Chassis](#) on page 30.
- Pin 3 (Ignition Sense)—Sierra Wireless recommends always using the Ignition Sense wire to turn the gateway off. It should not be turned off by disconnecting the power.

For installations where the GX Series gateway is turned on/off, use the white wire in the DC cable to connect Pin 3 to:

- A vehicle ignition for turning the gateway on with the ignition is on
- A low voltage monitor for turning the gateway off when the supply voltage drops below a defined level.

For installations where the GX Series gateway is permanently on (never turned on/off), connect the white wire to the red wire.

Pin 3 can be used as the trigger for the low power mode. For more information, refer to the ALEOS Software Configuration User Guide (Services chapter). If desired, you can also configure the GX Series gateway to notify you when it goes into Low Power mode. For details, refer the ALEOS Software Configuration User Guide (Events Reporting chapter).

---

*Note: Sierra Wireless strongly recommends that you use an unswitched VCC, with Pin 3 (white wire on DC cable) connected to the ignition (if you want the GX on when the ignition is on) or connected to a low voltage monitor (if you want the GX to turn off when the voltage drops below a defined level) See [Figure 2-20](#) on page 38. This is particularly important for when the input power supply is not constant, such as vehicle installations.*

---

- **Pin 4 (General Purpose I/O)** (Optional)—Use the green wire in the DC cable to connect Pin 4 to a switch or relay on an external device you want to monitor. For more details, see [page 39](#).

See [Figure 2-20](#) and [Table 2-4](#).

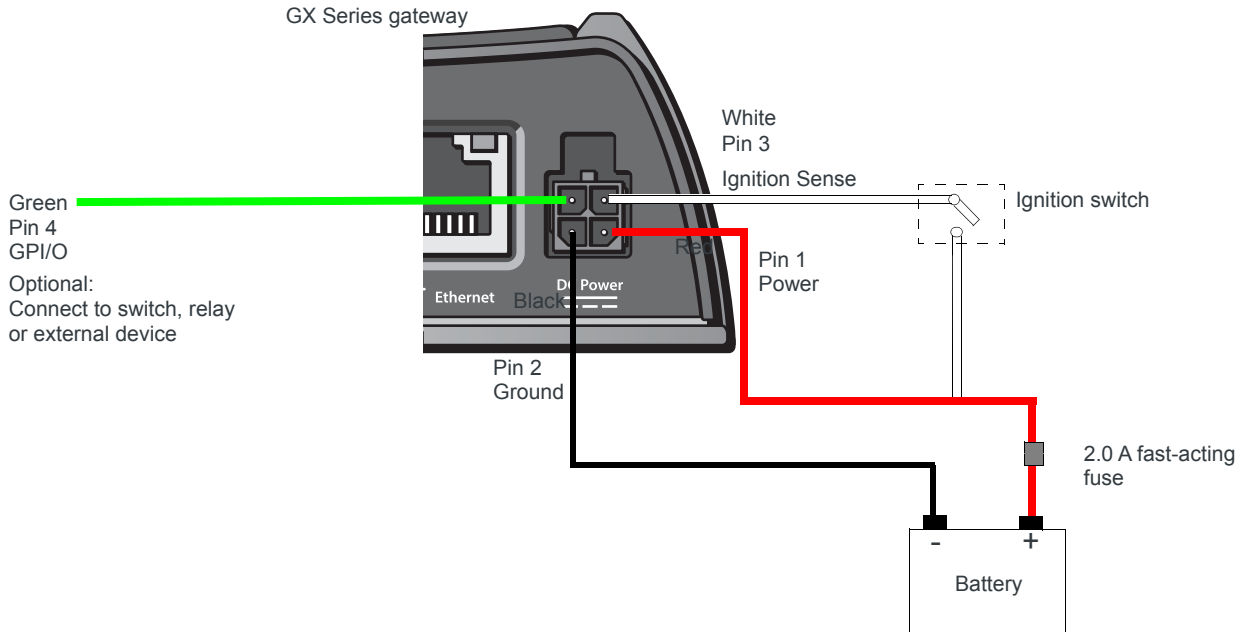


Figure 2-20: DC power cable connections (Colors indicate DC cable wire colors.)

Table 2-4: Power Connector Pin and DC cable Wires

Pin	Name	Associated DC Cable Wire Color	Description	Type
1	Power	Red	Main power supply for device	PWR
2	GND	Black	Main device ground	PWR
3	IGN Sense	White	Ignition Sense: Connected to the vehicle ignition or an external switch, for example on a low voltage shutdown. When the GX gateway is connected to a low voltage shutdown, the GX gateway is off when this pin is either open-circuit or grounded, and on when this pin is connected to power.  <i>Note: If you do not connect pin 3 to the ignition, you MUST connect it to the positive terminal of your power supply or battery. If you are using a Sierra Wireless AC adapter, the connection is inside the cable.</i>	I
4	GPIO	Green	User configurable digital input/output or analog voltage sensing input. Connect to switch, relay or external device. Maximum rating is 30 V, 150 mA. For more information, see <a href="#">Pin 4 (General Purpose I/O)</a> on page 39 and the ALEOS Software Configuration User Guide.	I/O

## Pin 4 (General Purpose I/O)

This pin is a digital input/output (green wire on DC cable).

Pin 4 either:

- Monitors digital inputs and outputs
- Drives a relay

It has a maximum rating of 30 V and 50 mA sink current. The pin is user programmed. For information on configuring Pin 4 (Digital Input/Relay Output 1 in ACEmanager) refer to the ALEOS Software Configuration User Guide.

One way to use pin 4 is with events reporting. In ACEmanager you:

### 1. Create an Event.

This triggers the gateway to act when it sees a specific input. For example, you can tell the gateway to do something when the Pin 4 state (Digital Input/Relay Output 1 in ACEmanager) changes. This could be when a door is opened, activating a switch attached to it.

### 2. Specify an Action.

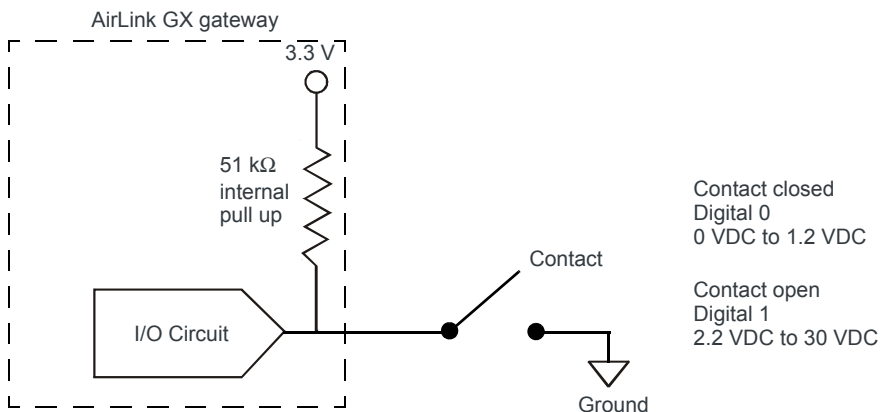
These are instructions the gateway performs when it sees an event. For example, an email could be sent to security, saying the door is open, giving the time, location and other information.

There are several typical uses for Pin 4:

- As a digital input, it monitors a switch, using its opening or closing to record events or monitoring external voltages of up to 30 VDC. For example, you could use it to measure the voltage on a 24 VDC light bulb and have the gateway react when it turns on.

When the switch, or input voltage is:

- Open (2.2 VDC to 30 VDC) – It is read as a digital input = 1
- Closed (0 to 1.2 VDC) – It is read as a digital input = 0



Examples: Door opening/closing, valve opening/closing, ignition on/off, tow bar up/down, empty/full container.

Figure 2-21: Digital Input Operation

- As a digital output, it can trigger an alarm, siren, door lock or open a valve or a switch. Pin 4 is an open collector transistor output normally at 3.3 VDC. When triggered, it is pulled to low.

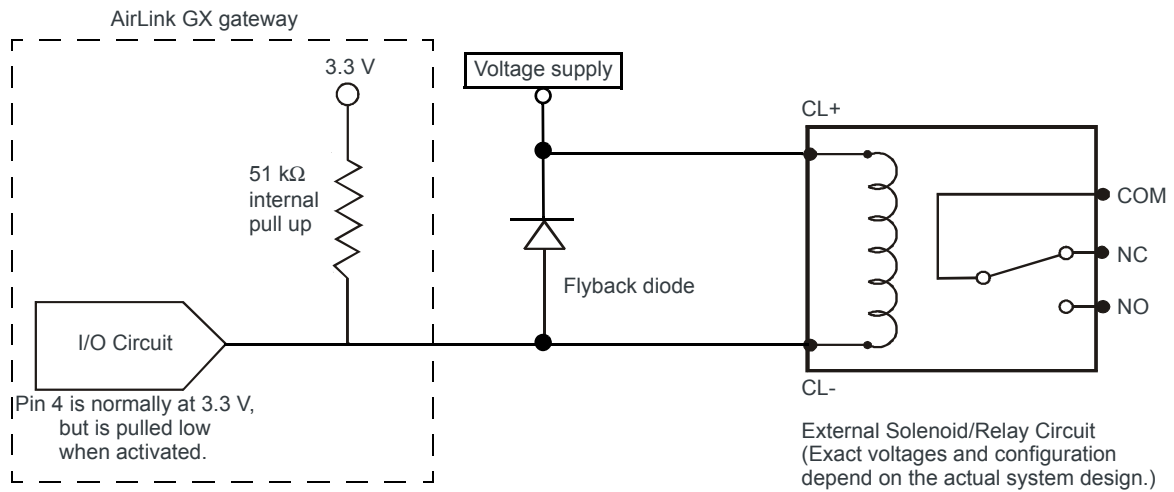


Figure 2-22: Digital Output Operation

*Note: Some solenoids/relays include a flyback diode built into the unit. For those that do not, Sierra Wireless recommends a flyback diode with a voltage rating at least double the relay voltage and a current rating at least double the relay ON current to avoid damage to the GX input. A common 1N4007 will work for most applications. See Table 2-7 on page 44.*

The initial state of the digital output when the gateway is rebooted is configurable in ACEmanager.

## Serial Port

You can connect the GX Series gateway's 9-pin serial connector directly to most computers or other devices with a standard straight-through cable. This connector is used for gateway configuration and debugging.

This connector complies with the EIA RS-232D specification for DCE equipment. The output driver levels swing from -7 VDC to +7 VDC with normal loading.

*Note: If you have a DCE device, you need to use a null modem cable.*



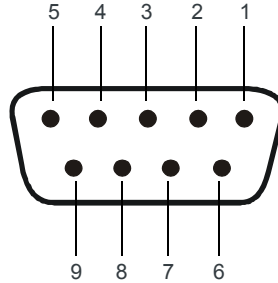


Figure 2-23: 9-Pin Serial Connector Diagram

**Table 2-5: Serial Connector Pin-out**

Name	Pin	Description	Type
DCD	1	Data Carrier Detect	OUT
TXD	2	Transmit Data	OUT
RXD	3	Receive Data	IN
DTR	4	Data Terminal Ready	IN
GND	5	Main GND. Connected internally to BOARD_GND	GND
DSR	6	Data Set Ready	OUT
RTS	7	Ready To Send	IN
CTS	8	Clear To Send	OUT
RI	9	Ring Indicator	OUT

## X-Cards

The AirLink GX Series has several optional, factory-installed, expansion cards (X-Cards) available to add more functions to the basic gateway. They are configurable with ACEmanager and more information is available in the ALEOS Software Configuration User Guide, which is available for downloading from the Sierra Wireless web site.

The available X-Cards are:

- Wi-Fi
- I/O
- Dual Ethernet

If you have an X-Card installed in your gateway, its type and status is shown on the ACEmanager home page (Status > Home).

## Wi-Fi X-Card

This card adds Wi-Fi capacity to the gateway using the 802.11b/g/n standard. It has the following modes:

- Client Mode where a GX gateway uses a Wi-Fi client connection to connect to an access point, rather than acting as an access point (AP)
- Access Point Mode where the gateway acts as an AP
- Both (AP + Client Mode) where the gateway can act as an AP and also use a Wi-Fi Client connection to connect to an AP

The GX Series gateway connects as a client to a configured AP whenever the AP is available. When the AP is not available, it connects to a 3G network and acts as an AP to W-Fi clients connected to the GX.

---

*Note: The Wi-Fi X-card requires the use of an antenna with a male RP-SMA connector.*

---

See the ALEOS Software Configuration User Guide for details on Wi-Fi configuration and use.

## I/O X-Card

This card uses a 15-pin connector to add to the basic gateway:

- One additional RS-232 communication port
- Four additional digital I/O pins
- Four analog voltage sensing pins
- Optional 2 meter I/O X-Card breakout cable (To order, contact your distributor.)

Maximum data rate for the RS-232 interface on the I/O X-Card is 115.2 kbps.

See the ALEOS Software Configuration User Guide for details on I/O set up and use.

## I/O X-Card 15-Pin Connector Description

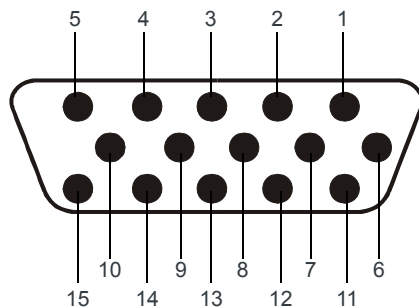


Figure 2-24: I/O X-Card 15-pin Connector Pin Diagram

---

*Note: For better performance, signal pins on the I/O X-Card should be referenced to the ground pin on the I/O X-Card (pin 10).*

---

An optional 2-meter 15-pin I/O breakout cable (pn 2000424) for use with the I/O X-card is available from distributors.

**Table 2-6: I/O 15-Pin Connector Pin Description**

Pin	Name	Description	Wire color (on optional I/O X-Card breakout cable)
1	TXD	Transmit Data	White/Black
2	CTS	Clear to Send	Red/Black
3	DIO[2]	Digital I/O 2	Green/Black
4	DIO[4]	Digital I/O 4	Orange/Black
5	RXD	Receive Data	Blue/Black
6	RTS	Request to Send	Blue
7	AIN[2]	Analog Input 2	Green
8	AIN[4]	Analog Input 4	Red
9	Reserved for future use		Black
10	GND	Ground	White
11	DIO[3]	Digital I/O 3	Orange
12	DIO[5]	Digital I/O 5	Blue/White
13	Reserved for future use		Green/White
14	AIN[1]	Analog Input 1	Red/White
15	AIN[3]	Analog Input 3	Black/White
<b>Shield</b>	Cable Shield		
This is not a VGA connector			
<i>Note: Digital Input 1 in ACEmanager is reserved for Pin 4 on the power connector.</i>			

To check the current digital input values, in ACEmanager:

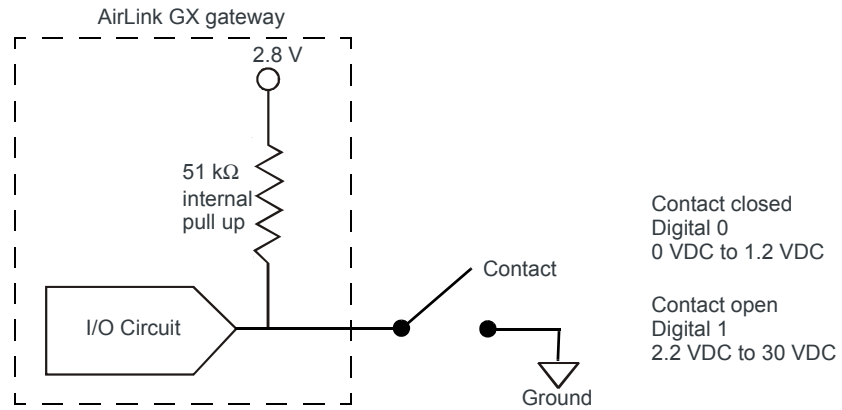
1. Go to I/O > Current State.

## Digital I/O Interface

There are four digital I/O pins on the high density DB15 connector. Typical applications are:

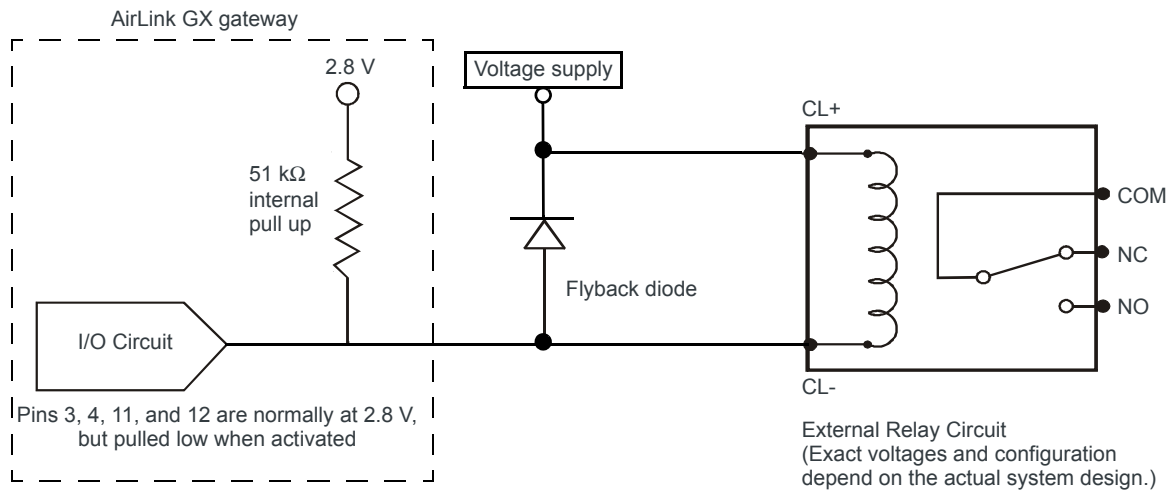
- Input—source is a dry switch contact to ground
- Output—to drive a relay coil to ground
- Analog—to detect voltage levels in input or output mode

Pins include a 51 k $\Omega$  pull up to 2.8 VDC.



Examples: Door opening/closing, valve opening/closing, ignition on/off, tow bar up/down, empty/full container.

Figure 2-25: Digital Input Operation



Pins 3, 4, 11, and 12 are normally at 2.8 V, but pulled low when activated

Figure 2-26: Digital Output Operation

Table 2-7: Digital I/O

Pins	Name	Specification	Min	Typical	Max	Units
3 4 11 12	DIO[2...5] (as input)	Input low state voltage (At or below this voltage, relay reads as low)	—	—	1.2	V
		Input high state voltage range (At or above this voltage, relay reads as high)	2.2	—	—	V
		Input leakage current at 5 V	—	0.05	—	mA
		Input leakage current at 12 V	—	1.8	—	mA
		Input leakage current at 24 V	—	5.5	—	mA
3 4 11 12	DIO[2...5] (as output)	Open drain drive to ground	—	100	—	mA
		Maximum open circuit voltage applied	—	—	30	V

## I/O X-Card Digital I/O Input Pins

Pins 3, 4, 11 and 12 are programmed in ACEmanager to monitor inputs, respond to certain types of events or trigger a digital output. They behave exactly like the Digital I/O (pin 4) on the power connector as described in [Connecting a DC Power Cable](#) on page 36.

---

*Note: Digital Input 1 in ACEmanager is reserved for Pin 4 on the power connector.*

---

Pins 3, 4, 11 and 12 (Digital inputs 2 to 5) have a voltage of 3.3 VDC when set to high in ACEmanager. A voltage on the pins of:

- 2.2 VDC to 3.0 VDC = logic 1
- 0 VDC to 1.3 VDC = logic 0

## I/O X-Card Analog Voltage Input Pins

Pins 7, 8, 14 and 15 are the analog voltage sensing pins configured in ACEmanager. Analog inputs monitor voltage changes in small increments. This allows you to monitor equipment that reports status as an analog voltage. You can use volts as the units reported or you can use the ACEmanager I/O Configuration screen to convert voltage to the desired units of measurement. You can also use the Event Reporting feature in ACEmanager to configure reports to be sent when an analog threshold is crossed. For more information, refer to the ALEOS Software Configuration User Guide.

The pins have a maximum rating of 30 V, 200  $\mu$ A.

**Table 2-8: I/O X-Card Analog Voltage Input Pins**

Pins	Name	Specification	Parameter	Min	Typical	Max	Units
7 8 14 15	AIN[1...4]	Voltage range	VADC	0	—	30	V
		Input leakage current		—	—	200	$\mu$ A
		Input capacitance	CIN	—	30	—	pF
		Error		0	2.5	5	%

These pins detect inputs of 0–30 VDC across the pins to ground. When used with a sensor to transform values into voltages, the pins can monitor measurements like temperatures, pressures or the volume of liquid in a container. ACEmanager can transform these voltages into meaningful values. In ACEmanager, events reporting tells the gateway to perform an action when a specified voltage is detected.

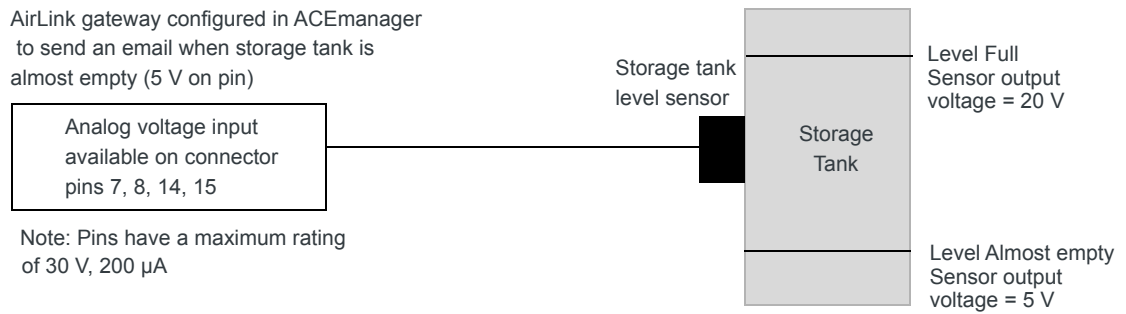


Figure 2-27: I/O X-Card Analog Voltage Input Operation

### I/O X-Card RS-232 Port

Four pins on the high density DB15 support a 4-wire RS-232 interface. The interface also supports features like AT, TCP PAD and UDP PAD.

Table 2-9: I/O X-Card RS-232 Port

Pins	Name	Specification	Parameter	Min	Typical	Max	Units
1 2	TXD CTS	Output low state voltage range	VOL	-5.0	-7.0	—	V
		Output high state voltage range	VOH	+5.0	+7.0	—	V
		Short circuit current	1 short	—	±35	±70	mA
		Leakage current	1 leak	—	±0.1	±10	µA
5 6	RXD RTS	Input low state voltage range	VIL	-5.0	—	-20	V
		Input high state voltage range	VIH	+5.0	—	+20	V
		Input resistance	R in	3	5	7	kΩ

*Note: There is no connection for RI, DCD, DTR or DSR. These are available on the DB-9 serial port. See [Serial Port](#) on page 40.*

### Dual Ethernet X-Card

This card adds two RJ-45 Ethernet ports to the gateway for a total of three. The two Ethernet ports on the X-Card are bridged with the gateway’s main Ethernet port, automatically becoming part of the same subnet.

The main Ethernet port on the rear panel is a high performance Ethernet port with data rates up to 100 Mbps.

The Dual Ethernet X-Card provides additional Ethernet ports for applications requiring lower throughput (in the range of 8–9 Mbps, or less if both ports are being used).

For example, the Ethernet ports on the Dual Ethernet X-Card are ideal for applications that run on IP or other protocols that run on top of IP such as TCP and UDP.

Other suggested applications include:

- Modbus applications
- Low Resolution MMS (MultiMediaStreaming using mms://) applications
- Message Queuing Telemetry Transport (MQTT) applications
- Low Resolution Video surveillance applications

## **Configuring Dual Ethernet X-Card Ports**

When your GX Series gateway has a Dual Ethernet X-Card installed, you can configure the additional Ethernet ports as Ethernet 2 and Ethernet 3 on the ACEmanager LAN > Ethernet screen. Information about the Ethernet ports appears on the Status > LAN and the Status > About screens. The LAN IP packets sent and received fields on the Status > LAN screen show the cumulative totals for all LAN interfaces.





## 3: Configuring AirLink GX Series Gateways

This chapter shows you how to communicate with and configure the Sierra Wireless AirLink GX Series gateway.

### Connection Ports

You can connect to the gateway's:

- USB port (Micro AB)
- Ethernet port (RJ-45)
- Serial port (9-pin RS-232)

### USB Port

The USB port can be either a:

- Virtual Ethernet port
- Virtual serial port

Drivers must be installed on the PC for it to work in either mode. They are available for download at [source.sierrawireless.com](http://source.sierrawireless.com).

We recommend you:

- Use a USB 2.0 cable
- Connect directly to your computer for best throughput

### Configuring with ACEmanager

After the initial power up:

1. In the laptop connected to the gateway, open a web browser.
2. In the browser's address bar, enter:  
**http://192.168.13.31:9191**

---

*Note: It may take a minute or two for the gateway to respond after the first power up.*

---

The ACEmanager login screen appears.

3. The default user name, user, is already entered. Enter the default password, 12345.

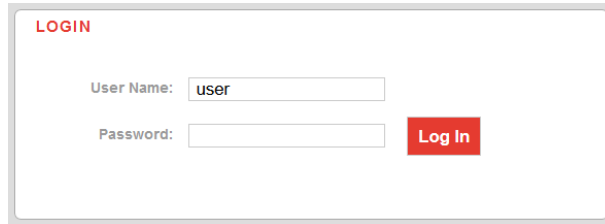


Figure 3-1: ACEmanager Login Screen

The ACEmanager Status > Home page appears<sup>1</sup>.

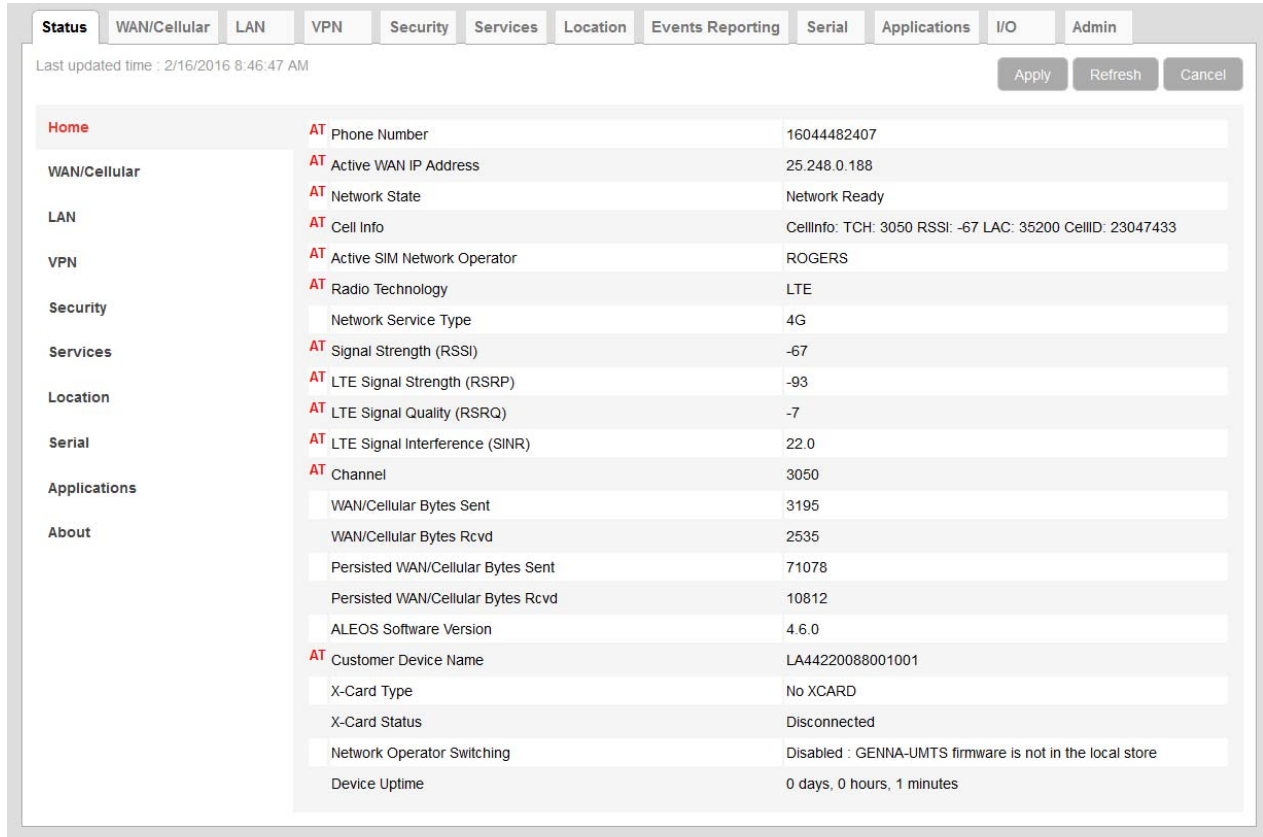


Figure 3-2: ACEmanager Status > Home page

4. If the gateway does not automatically connect to the network:
  - a. Check the Network State field. It should say “Network Ready”. If it says “No SIM or Unexpected SIM”, check that the correct SIM card is inserted. (See [Installing the SIM Card](#) on page 18.)
  - b. Check the Signal Strength field. It should be greater than -100.
  - c. Check the APN on the WAN/Cellular tab. If an error message appears in this field, contact your Mobile Network Operator. They may need to provide you with an APN to enter in the User Entered APN field.

<sup>1</sup> The appearance of the screen varies depending on the version of ALEOS installed on the gateway, the presence of X-Cards, and the type of network the gateway is connected to.

The screenshot displays the ACEmanager configuration interface for WAN/Cellular settings. The top navigation bar includes tabs for Status, WAN/Cellular, LAN, VPN, Security, Services, GPS, Events Reporting, Serial, Applications, I/O, and Admin. The main content area is titled 'WAN/Cellular' and shows a 'Last updated time' of 11/18/2015 2:35:39 PM. Below this are buttons for 'Expand All', 'Apply', 'Refresh', and 'Cancel'. The configuration is organized into sections: 'Reliable Static Route (RSR)', 'DMNR Configuration', and 'Advanced'. The 'APN in Use' and 'User Entered APN' fields are circled in red. Other settings include 'RX Diversity' (Disable), 'SIM PIN' (SIM PIN), 'Network Roaming Preference' (Automatic), 'Response to Incoming Ping' (No Response), 'Network Authentication Mode' (NONE), 'Network User ID', 'Network Password', 'Network Watchdog Timer' (Disable), 'Set Carrier [Operator] Selection', 'Checking SMS Status (seconds)', 'Cellular Network Watchdog' (Disable), 'LTE Active Reselection Interval' (Disabled), 'LTE Reselection Time' (15 Seconds), 'Current Radio Module Band', 'Setting for Band' (All bands), 'Always on connection' (Enabled), 'Connection timeout (minutes)', and 'On WAN Disconnect' (Reconnect). There are also expandable sections for 'APN Backup' and 'Bandwidth Throttle'.

Figure 3-3: ACEmanager: WAN/Cellular

To configure the gateway using ACEmanager, refer to the ALEOS Software Configuration User Guide, available for download from [source.sierrawireless.com](http://source.sierrawireless.com).

After the GX Series gateway is connected and configured, you can save the configuration as a template to the configuration PC and then apply this template to subsequent GX Series gateways. For details, refer to the ALEOS Software Configuration User Guide.

## Configuring with AirLink Management Service

AirLink Management Service (ALMS) is a cloud-based service that provides remote monitoring and configuration of multiple AirLink gateways.

To use ALMS, you must have an account. For more information, go to [www.sierrawireless.com/ALMS](http://www.sierrawireless.com/ALMS).

To access AirLink Management Service:

1. Connect a laptop to the GX Series gateway with an Ethernet cable.
2. Log in to ACEmanager.
3. Go to the Services tab and ensure that ALMS is enabled and the server URL is <http://na.m2mop.net/msci/com>. If this is not the case, enter the correct URL, click Apply and then click Reboot.
4. In your browser, go to <http://airvantage.net> and log in.
5. Follow the instructions in the online ALMS documentation to register your gateway.

## Configuring with oMM

oMM Management System (oMM) is a Network Management solution that provides a consolidated view of the entire vehicle fleet and enables simplified management, control and monitoring of connected AirLink routers. oMM is a licensed, unified software platform deployed in the enterprise data center. It enables:

- Mobile network and asset management
- Over-the-air registration, configuration and software updates
- Consolidated network view of an entire fleet, in-field applications and mobile assets, using a virtual dashboard to monitor, report, manage, and troubleshoot all mobile resources as required.

If you require a network management solution deployed in your data center, contact your Sierra Wireless sales representative for a demonstration of the oMM capabilities.

## Configuring with AT Commands

You can also configure GX Series gateways using AT commands over the RS-232 serial port or the USB port (configured as a virtual serial port). All the commands are listed in the ALEOS Software Configuration User Guide.

In ACEmanager, mouse over a red AT to the left of a listing to see a popup showing the AT command for that item.

- Most AT commands are prefaced with AT. Exceptions are noted in the ALEOS Software Configuration User Guide.
- The acceptable format and parameters are listed with each command in the ALEOS Software Configuration User Guide.

- If you enter a recognized AT command, the GX Series gateway responds with “OK.” If the command is wrong, the GX Series gateway responds with “ERROR” or “Unsupported.”

## Reset to Factory Default Settings

To reset the gateway to the factory default settings, either:

- Press and hold the Reset button until all the LEDs turn red (about 7–10 seconds). See [Front Panel](#) on page 12.  
Or
- In ACEmanager, go to Admin > Advanced and click the Reset to Factory Default button. For details, refer to the ALEOS Software Configuration User Guide.

The gateway reboots. Once the reboot is complete and the LEDs resume their normal operating behavior, the reset is complete.

## Recovery Mode

If the router fails to boot properly, it automatically enters recovery mode, or, if the router is unresponsive to ACEmanager input and AT commands, you can manually put the router into recovery mode.

Recovery mode enables you to update the ALEOS software and return the router to working order. (For details, refer to the ALEOS Software Configuration User Guide—Configuring your router chapter.)

To enter Recovery mode manually:

- On the router, press the Reset button for more than 20 seconds. (Release the button when all the LEDs are solid amber.)

To recover the router:

- Update ALEOS using the Recovery mode interface. Once the new ALEOS version is successfully uploaded and installed, the gateway reboots and exits recovery mode. When the process is complete, the ACEmanager login screen appears.

---

*Note: After the recovery, you need to reload the radio module firmware store and templates.*

---

To exit Recovery mode, if it has been inadvertently entered, do one of the following:

- Press the reset button on the gateway to reboot it.
- Click the Reboot button on the Recovery screen.
- Wait 10 minutes. If no action is taken within 10 minutes of the device entering Recovery mode (for example, if the Recovery screen has not been loaded by the web browser), it automatically reboots and exits Recovery mode.

For more information, refer to the ALEOS Software Configuration User Guide (Configuring your router chapter).



## 4: AirLink GX Series Specifications

### RF Specifications

#### Radio Frequency Bands

Table 4-1: GX450 North America—MC7354

Radio Technology	SKU				Band	Frequency
	Generic	Verizon Wireless	AT&T	Sprint		
LTE	✓		✓		Band 2 (1900 MHz)	Tx: 1850–1910 MHz Rx: 1930–1990 MHz
	✓	✓	✓		Band 4 (AWS) (1700 / 2100 MHz)	Tx: 1710–1755 MHz Rx: 2110–2155 MHz
	✓		✓		Band 5 (850 MHz)	Tx: 824–849 MHz Rx: 869–894 MHz
	✓	✓			Band 13 (700 MHz)	Tx: 777–787 MHz Rx: 746–756 MHz
	✓		✓		Band 17 (700 MHz)	Tx: 704–716 MHz Rx: 734–746 MHz
	✓			✓	Band 25 (1900 MHz Block G)	Tx: 1850–1915 MHz Rx: 1930–1995 MHz
CDMA/ EV-DO	✓	✓		✓	BC0 (Cellular 800 MHz)	Tx: 824–849 MHz Rx: 869–894 MHz
	✓	✓		✓	BC1 (PCS 1900 MHz)	Tx: 1850–1910 MHz Rx: 1930–1990 MHz
	✓			✓	BC10 (Secondary 800 MHz)	Tx: 817–824 MHz Rx: 861–869 MHz

**Table 4-1: GX450 North America—MC7354 (Continued)**

Radio Technology	SKU				Band	Frequency
	Generic	Verizon Wireless	AT&T	Sprint		
HSPA	✓	✓	✓	✓	Band 1 (2100 MHz)	Tx: 1920–1980 MHz Rx: 2110–2170 MHz
	✓	✓	✓	✓	Band 2 (1900 MHz)	Tx: 1850–1910 MHz Rx: 1930–1990 MHz
	✓				Band 4 (AWS 1700/2100 MHz)	Tx: 1710–1755 MHz Rx: 2110–2155 MHz
	✓	✓	✓	✓	Band 5 (850 MHz)	Tx: 824–849 MHz Rx: 869–894 MHz
	✓	✓	✓	✓	Band 8 (900 MHz)	Tx: 880–915 MHz Rx: 925–960 MHz
EDGE	✓	✓	✓	✓	GSM 850 (850 MHz)	Tx: 824–849 MHz Rx: 869–894 MHz
	✓	✓	✓	✓	GSM 900 (900 MHz)	Tx: 880–915 MHz Rx: 925–960 MHz
	✓	✓	✓	✓	DCS 1800 (1800 MHz)	Tx: 1710–1785 MHz Rx: 1805–1880 MHz
	✓	✓	✓	✓	PCS1900 (1900 MHz)	Tx: 1850–1910 MHz Rx: 1930–1990 MHz

**Table 4-2: GX450 International—MC7304**

Radio Technology	SKU		Band	Frequency
	Generic	Telstra		
LTE	✓	✓	Band 1 (2100 MHz)	Tx: 1920–1980 MHz Rx: 2110–2170 MHz
	✓	✓	Band 3 (1800 MHz)	Tx: 1710–1785 MHz Rx: 1805–1880 MHz
	✓	✓	Band 7 (2600 MHz)	Tx: 2500–2570 MHz Rx: 2620–2690 MHz
	✓	✓	Band 8 (900 MHz)	Tx: 800–915 MHz Rx: 925–960 MHz
	✓	✓	Band 20 (800 MHz)	Tx: 832–862 MHz Rx: 791–821 MHz



Table 4-2: GX450 International—MC7304 (Continued)

Radio Technology	SKU		Band	Frequency
	Generic	Telstra		
HSPA	✓	✓	Band 1 (2100 MHz)	Tx: 1920–1980 MHz Rx: 2110–2170 MHz
	✓	✓	Band 2 (1900 MHz)	Tx: 1850–1910 MHz Rx: 1930–1990 MHz
	✓	✓	Band 5 (850 MHz)	Tx: 824–849 MHz Rx: 869–894 MHz
	✓	✓	Band 8 (900 MHz)	Tx: 880–915 MHz Rx: 925–960 MHz
EDGE	✓	✓	GSM 850 (850 MHz)	Tx: 824–849 MHz Rx: 869–894 MHz
	✓	✓	GSM 900 (900 MHz)	Tx: 880–915 MHz Rx: 925–960 MHz
	✓	✓	DCS 1800 (1800 MHz)	Tx: 1710–1785 MHz Rx: 1805–1880 MHz
	✓	✓	PCS1900 (1900 MHz)	Tx: 1850–1910 MHz Rx: 1930–1990 MHz

Table 4-3: GX440 Verizon Wireless—MC7750

Radio Technology	Band	Frequencies
LTE	Band 13 (700 MHz)	Tx: 777–787 MHz Rx: 746–756 MHz
CDMA/EV-DO	BC0 (Cellular) (800 MHz)	Tx: 824–849 MHz Rx: 869–894 MHz
	BC1 (PCS) (1900 MHz)	Tx: 1850–1910 MHz Rx: 1930–1990 MHz

Table 4-4: GX440 AT&amp;T and Canada—MC7700

Radio Technology	Band	Frequency
LTE	Band 1 (2100 MHz)	Tx: 1920–1980 MHz Rx: 2110–2170 MHz
	Band 4 (AWS) 1700/2100 MHz	Tx: 1710–1755 MHz Rx: 2110–2155 MHz
	Band 17 (700 MHz)	Tx: 704–716 MHz Rx: 734–746 MHz

**Table 4-4: GX440 AT&T and Canada—MC7700 (Continued)**

Radio Technology	Band	Frequency
<b>HSPA</b>	Band 1 (2100 MHz)	Tx: 1920–1980 MHz Rx: 2110–2170 MHz
	Band 2 (1900 MHz)	Tx: 1850–1910 MHz Rx: 1930–1990 MHz
	Band 5 (850 MHz)	Tx: 824–849 MHz Rx: 869–894 MHz
	Band 6 (800 MHz)	Tx: 830–840 MHz Rx: 875–885 MHz
<b>EDGE</b>	GSM 850 (850 MHz)	Tx: 824–849 MHz Rx: 869–894 MHz
	EGSM 900 (900 MHz)	Tx: 880–915 MHz Rx: 925–960 MHz
	DCS1800 (1800 MHz)	Tx: 1710–1785 MHz Rx: 1805–1880 MHz
	PCS 1900 (1900 MHz)	Tx: 1850–1910 MHz Rx: 1930–1990 MHz

**Table 4-5: GX400 Verizon Wireless and Sprint—MC5728**

Radio Technology	Band	Frequencies
<b>CDMA/EV-DO</b>	BC0 (Cellular 800 MHz)	Tx: 824–849 Rx: 869–894
	BC1 (PCS 1900 MHz)	Tx: 1850–1910 Rx: 1930–1990

**Table 4-6: GX400 AT&T, Canada, and International—MC8705**

Radio Technology	Band	Frequencies
<b>HSPA</b>	Band 1 (2100 MHz)	Tx: 1920–1980 MHz Rx: 2110–2170 MHz
	Band 2 (1900 MHz)	Tx: 1850–1910 MHz Rx: 1930–1990 MHz
	Band 5 (850 MHz)	Tx: 824–849 MHz Rx: 869–894 MHz
	Band 6 (800 MHz)	Tx: 830–840 MHz Rx: 875–885 MHz
	Band 8 (900 MHz)	Tx: 880–915 MHz Rx: 925–960 MHz

**Table 4-6: GX400 AT&T, Canada, and International—MC8705**

Radio Technology	Band	Frequencies
<b>EDGE</b>	GSM 850 (850 MHz)	Tx: 824–849 MHz Rx: 869–894 MHz
	EGSM 900 (900 MHz)	Tx: 880–915 MHz Rx: 925–960 MHz
	DCS1800 (1800 MHz)	Tx: 1710–1785 MHz Rx: 1805–1880 MHz
	PCS 1900 (1900 MHz)	Tx: 1850–1910 MHz Rx: 1930–1990 MHz

## Radio Module Conducted Transmit Power

The following tables provide radio module conducted transmit power specifications. The radio module type is printed on the label on the bottom of the gateway and is available in ACEmanager (Status > About).

### AirLink GX450

**Table 4-7: GX450 North America—MC7354<sup>a</sup> Conducted Transmit Power**

Band	Conducted Tx Power (dBm)	Notes
<b>LTE</b>		
Band 1 Band 4 Band 13 Band 17 Band 25	+23±1	
<b>UMTS</b>		
Band 1 (IMT 2100 12.2 kbps) Band 2 (UMTS 1900 12.2 kbps) Band 4 (AWS 1700/2100 12.2 kbps) Band 5 (UMTS 850 12.2 kbps) Band 8 (UMTS 900 12.2 kbps)	+23±1	Connectorized (Class 3)
<b>GSM / EDGE</b>		
GSM 850 CS GSM 900 CS	+32±1	GMSK mode, connectorized (Class 4)
	+27±1	8 PSK mode, connectorized (Class E2)

**Table 4-7: GX450 North America—MC7354<sup>a</sup> Conducted Transmit Power**

Band	Conducted Tx Power (dBm)	Notes
DCS 1800 CS PCS 1900 CS	+29±1	GMSK mode, connectorized (Class 4)
	+26±1	8 PSK mode, connectorized (Class E2)
<b>CDMA</b>		
Band Class 0 (Cellular)	+24+0.5/-1	
Band Class 1 (PCS)		
Band Class 10 (Cellular)		

a. You can view the Radio Module Type in ACEmanager (Status > About).

**Table 4-8: GX450 International—MC7304<sup>a</sup> Conducted Transmit Power**

Band	Conducted Tx Power (dBm)	Notes
<b>LTE</b>		
Band 1 Band 3 Band 8 Band 20	+23±1	
Band 7	+22±1	
<b>UMTS</b>		
Band 1 (IMT 2100 12.2 kbps) Band 2 (UMTS 1900 12.2 kbps) Band 5 (UMTS 850 12.2 kbps) Band 6 (UMTS 800 12.2 kbps) Band 8 (UMTS 900 12.2 kbps)	+23±1	Connectorized (Class 3)
<b>GSM / EDGE</b>		
GSM 850 CS GSM 900 CS	+32±1	GMSK mode, connectorized (Class 4)
	+27±1	8 PSK mode, connectorized (Class E2)
DCS 1800 CS PCS 1900 CS	+29±1	GMSK mode, connectorized (Class 4)
	+26±1	8 PSK mode, connectorized (Class E2)

a. You can view the Radio Module Type in ACEmanager (Status > About).

## AirLink GX440

**Table 4-9: GX440 Verizon Wireless—MC7750<sup>a</sup> Conducted Transmit Power**

Band	Average Conducted Tx Power (dBm)
<b>LTE</b>	
Band 13	+23±1
<b>CDMA</b>	
CDMA Band Class 0 (Cellular)	+23.5±1 (channel 1175) +24±1 (other channels)

a. You can view the Radio Module Type in ACEmanager (Status > About).

**Table 4-10: GX440 AT&T, Bell, and Canada—MC7700<sup>a</sup> Conducted Transmit Power**

Band	Conducted Tx Power (dBm)	Notes
<b>LTE</b>		
Band 1	+22±1	
Band 4 Band 17	+23±1	
<b>UMTS</b>		
Band 1 (IMT 2100 12.2 kbps) Band 2 (UMTS 1900 12.2 kbps) Band 5 (UMTS 860 12.2 kbps) Band 6 (UMTS 800 12.2 kbps)	+23±1	Connectorized (Class 3)
Band 1 (IMT 2100 MHz) 12.2 kbps	+23±1	Connectorized (Class 3)
<b>GSM / EDGE</b>		
GSM 850 CS GSM 900 CS	+32±1	GMSK mode, connectorized (Class 4)
	+27±1	8 PSK mode, connectorized (Class E2)
DCS 1800 CS PCS 1900 CS	+29±1	GMSK mode, connectorized (Class 4)
	+26±1	8 PSK mode, connectorized (Class E2)

a. You can view the Radio Module Type in ACEmanager (Status > About).

## AirLink GX400

**Table 4-11: GX400 Verizon Wireless and Sprint—MC5728<sup>a</sup> Conducted Transmit Power**

Technology	Average Conducted Tx Power (dBm)
IS-95 IS-2000 1xEV-DO, Rev. 0 1xEV-DO, Rev. A	+24±1

a. You can view the Radio Module Type in ACEmanager (Status > About).

**Table 4-12: GX400 AT&T, Canada, and International—MC8705<sup>a</sup> Conducted Transmit Power**

Band	Conducted Tx Power (dBm)	Notes
<b>GSM / EDGE</b>		
GSM 850 CS GSM 900 CS	+32±1	GMSK mode, connectorized (Class 4)
	+27±1	8 PSK mode, connectorized (Class E2)
DCS 1800 CS PCS 1900 CS	+29±1	GMSK mode, connectorized (Class 4)
	+26±1	8 PSK mode, connectorized (Class E2)
<b>UMTS</b>		
Band 1 (IMT 2100 12.2 kbps) Band 2 (UMTS 1900 12.2 kbps) Band 5 (UMTS 860 12.2 kbps) Band 6 (UMTS 800 12.2 kbps) Band 8 (900 MHz) 12.2 kbps	+23±1	Connectorized (Class 3)

a. You can view the Radio Module Type in ACEmanager (Status > About).

## Host Interfaces

- 10/100 Base-T RJ-45 Ethernet
- RS-232 Serial port
- USB V2.0 Micro-AB connector
- 3 SMA antenna connectors (RF, GPS, Rx Diversity)
- Support for active antenna

## GPS Technology

- Protocols: NMEA 0183 V3.0, TAIP, RAP
- 4G LTE Models:
  - Acquisition time: 2 sec hot start
  - Accuracy: < 2 m (50%), < 5 m (90%)
  - Tracking sensitivity: -161 dBm
  - Datum: WGS84
- 3G Models:
  - Acquisition time: 9 sec hot start
  - Accuracy: < 3 m (50%), < 8 m (90%)
  - Tracking sensitivity: -152 dBm
  - Datum: WGS84

## Protocols

- Network: TCP/IP, UDP/IP, DNS
- Routing: NAT, Host Port Routing, DHCP, PPPoE, VLAN, VRRP
- Application: SMS, Telnet/SSH, SMTP, SNMP, SNTP
- Serial: TCP/UDP PAD Mode, Modbus (ASCII, RTU, Variable), PPP

## Events Reporting

- Event Types:
  - Digital input
  - GPS/AVL
  - Network parameters
  - Data usage
  - Timer
  - Power
  - Gateway temperature
- Report/Action Types:
  - SMS
  - Email
  - SNMP trap
  - Relay output
  - GPS RAP report
  - Events protocol message to server

## VPN/Security

- IPsec, SSL, and GRE VPN client
- Up to 5 VPN tunnels
- IKE encryption
- Port forwarding and DMZ
- Port filtering
- Trusted IP

- MAC address filtering

## Gateway Management

- AirLink Management Service cloud-based gateway management application  
For more information, go to [www.sierrawireless.com/ALMS](http://www.sierrawireless.com/ALMS).
- ACEManager web-based gateway configuration software  
For more information, refer to the ALEOS Software Configuration User Guide.
- AT Commands  
For more information, refer to the ALEOS Software Configuration User Guide.

## ALEOS Application Framework

- Lua language coding platform
- Remote application management
- Eclipse-based IDE
- Integrated real-time debugging

## Input/Output

- Configurable I/O on power connector
- Input ON voltage: 3.3 VDC to 30 VDC
- Input OFF voltage: 0 VDC to 1.2 VDC
- Output maximum switching capability 200 mA @ 30 VDC

## Power Consumption

**Table 4-13: GX Series gateway power consumption (without X-Card)**

AirLink GX Series Gateways (no X-Card installed)	
Maximum current draw at 12 V	1 A
Typical current draw at 12 V	0.45 A
Low Power Mode current draw at 12 V	50 mA

## Additional Power Consumption with X-Cards Installed

Table 4-14 outlines the increase in power consumption if you have an X-Card installed in the GX Series gateway.

**Table 4-14: Additional power consumption with X-Card installed<sup>a</sup>**

	Dual Ethernet X-Card	Wi-Fi X-Card	Serial I/O X-Card
Change Typical	148 mA	110 mA	19 mA
Change Maximum	200 mA	155 mA	30 mA



- a. Values are averaged over 2 minutes at +12 V at room temperature.

## Environmental Specifications

- Operating temperature: -30°C to +70°C (-22°F to +158°F)<sup>1 2</sup>
- Storage temperature: -40°C to +85°C (-40°F to +185°F)
- Humidity: Maximum 95% RH @ 60°C (140°F)

**Table 4-15: Environmental Test Specifications**

Category	Operational / Non-operational	Reference
Temperature	Operational	MIL-STD-810G, 501.5, 502.5
	Non-operational	MIL-STD-810G, 501.5, 502.5
Humidity	Operational	MIL-STD-810G, 507.5
Drop	Non-operational	ISTA 2A 2001, test categories 1, 4, 5, and 6 or equivalent
Vibration	Operational	MIL-STD-810G, test method 514.6, 527
Shock	Operational	MIL-STD-810G, test method 516.6
Thermal Shock	—	MIL-STD-810G, test method 503.5
IP Rating	—	IP64

## Wi-Fi X-Card

- IEEE 802.11b/g/n
- Both access point and client capability
- When used as an access point, up to 8 clients can connect simultaneously
- When used as a client, can connect to one of up to 10 configured access points.
- Security:
  - WEP 64-bit and 128-bit encryption with H/W TKIP processing
  - WPA/WPA2 (Wi-Fi Protected Access)
  - AES-CCMP hardware implementation as part of 802.11i security
- SMA antenna connector
- Frequency range: 2.4 GHz

Number of channels:

- 802.11b:
  - USA, Canada, and Taiwan—11
  - Most European countries—13
  - France—4
  - Japan—14

---

1. The AC adapter has a narrower range of operating temperatures. See AC Adapter [Accessories](#) on page 75.  
 2. UL Listed for use in ambient temperatures not exceeding 60°C.

- 802.11g:
  - USA, Canada, and Taiwan—11
  - Most European countries—13
  - Japan—13
- 802.11n:
  - HT20: Channel 1~14 (2412~2484)
  - HT40: Channel 1~7 (2422~2472)
- Output power—WAN:
  - 802.11b: typical 16 dBm  $\pm$  1.5 dBm
  - 802.11g: typical 14 dBm  $\pm$  1.5 dBm
  - 802.11n (HT20 and HT40): typical 13 dBm  $\pm$  1.5 dBm
- Receive sensitivity (WAN):
  - 802.11b: typical -86 dBm at 11 Mbps
  - 802.11g: typical -70 dBm at 54 Mbps
  - 802.11n: typical -69 dBm at HT20 MCS7
  - 802.11n: typical -66 dBm at HT40 MCS7
- Data Rates
  - 802.11b: 1, 2, 5.5, 11 Mbps
  - 802.11g: 6, 9, 12, 18, 24, 36, 48, 54 Mbps
  - 802.11n: up to 150 Mbps
- Maximum Operating Range
  - Open space: ~100–125 m
  - Indoors: ~50 m
- RF Output Power

Wi-Fi Network	Typical RF Transmit Power
802.11b	16dBm $\pm$ 1.5dBm
802.11g	14dBm $\pm$ 1.5dBm
802.11n(HT20)	13dBm $\pm$ 1.5dBm
802.11n(HT40)	13dBm $\pm$ 1.5dBm

## I/O X-Card

- 4 configurable digital I/O
- 4 analog inputs
  - Range of 0 to 30V
  - 10-bit resolution
- RS-232 Serial port

## Dual Ethernet X-Card

- 2 configurable RJ-45 Ethernet ports
- LEDs
  - Link: 100Base-T=green/10Base-T= off.
  - Activity: amber

- Physical Layer Support: 10Base-T, 100Base-T
- Auto Negotiation: 10Base-T, 100Base-T, Half and Full duplex
- Standards: IEEE 802.3 / 802.3u
- Auto Crossover: HP Auto MDI-X

## Certifications

Certification	GX400	GX440	GX450
FCC	✓	✓	✓
IC	✓	✓	✓
PTCRB	✓	✓	✓
CB Scheme	✓	✓	✓
Class 1 Div 2	✓	✓	✓
RCM A-Tick	✓		✓
CE	✓		✓
R&TTE	✓		✓
RoHS	✓		✓
REACH	✓		✓
WEEE	✓		✓
UL 60950			✓
E-Mark (2009/19/EC), ISO 7637-2			✓
GCF			✓

## Power

- Voltage range: 9–36 VDC

## Construction Materials

The GX Series case is die cast using aluminum alloy A380, which is powder coated. The cover is a fire-retardant plastic.

## Reliability

The GX Series gateways have an MTBF of approximately 9.5 years.

## Mechanical Specifications

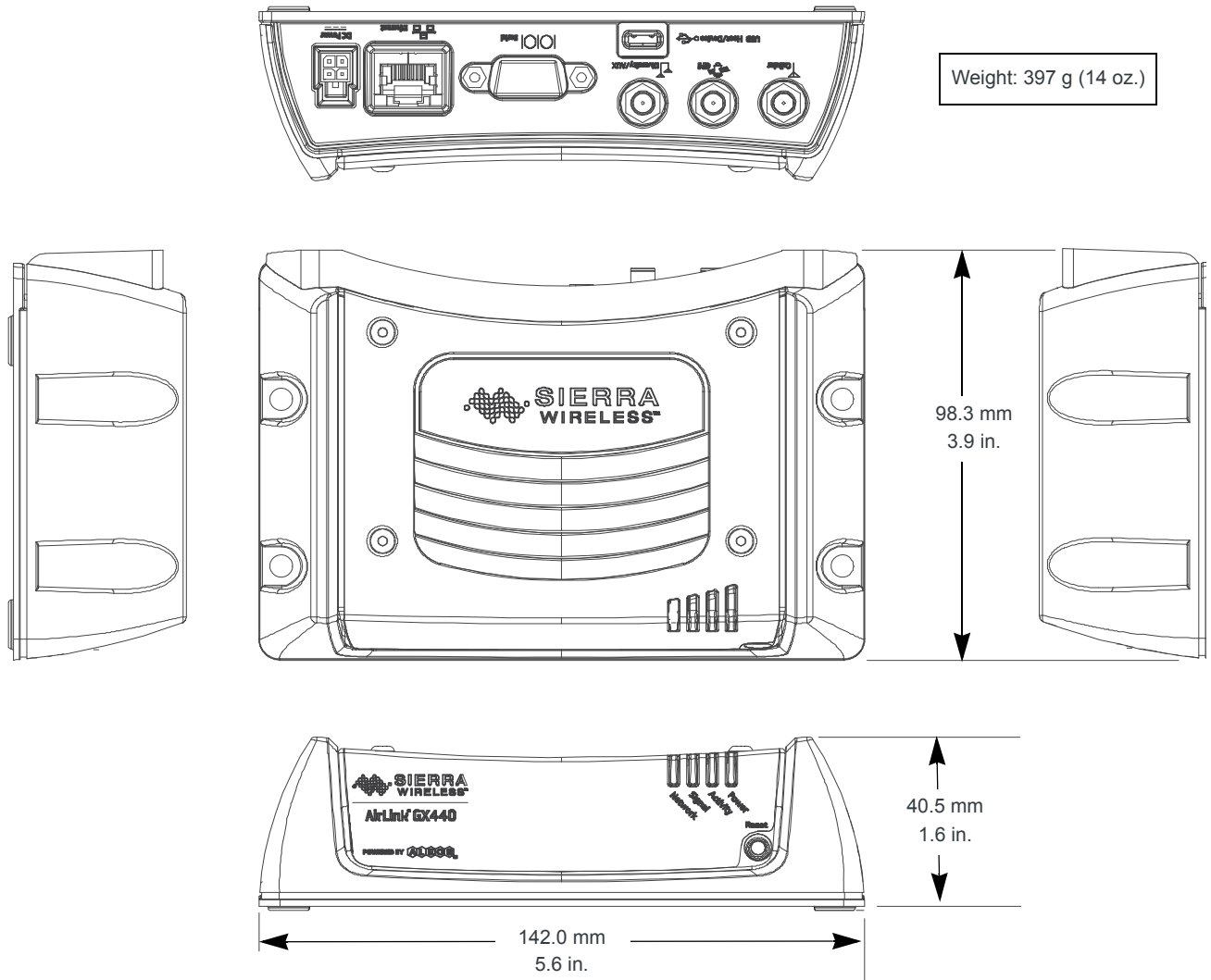


Figure 4-1: AirLink GX Series Mechanical Specifications (Standard Gateway Shown)

The locking power connector housing and the internal wire connector that fits it are:

- Tyco micro Mate-N-Lok double row connector housing receptor p/n 794617-4
- Tyco female 3 mm Centerline, 250 V, 5 A max. crimp terminal p/n 794606-1
-



### Federal Communications Commission Notice (FCC United States)

This equipment has been tested and found to comply with the limits for a Class A digital device, pursuant to part 15 of the FCC Rules. These limits are designed to provide reasonable protection against harmful interference when the equipment is operated in a commercial environment.

This equipment generates, uses, and can radiate radio frequency energy and, if not installed and used in accordance with the instruction manual, may cause harmful interference to radio communications. Operation of this equipment in a residential area is likely to cause harmful interference in which case the user will be required to correct the interference at his own expense.

---

**Warning:** *Changes or modifications to this gateway not expressly approved by Sierra Wireless could void the user's authority to operate this equipment.*

---

### Notice for Canadian Users

This Class A digital apparatus complies with ICES-003.

Cet appareil numérique de la classe A est conforme à la norme NMB-003 du Canada.

### Industry Canada Notice

This Class A device complies with RSS-210 of the Industry Canada rules. Operation is subject to the following two conditions:

1. This device may not cause harmful interference, and
2. This device must accept any interference received, including interference that may cause undesired operation of the device.

## Avis d'Industrie Canada

Cet appareillage numérique de la Classe A est conforme aux normes RSS-210 du Canada. L'utilisation de ce dispositif est autorisée seulement aux conditions suivantes :

1. Il ne doit pas produire de brouillage et
2. Il doit accepter tout brouillage radioélectrique reçu, même si ce brouillage est susceptible de compromettre le fonctionnement du dispositif.

## Important Information for North American Users on Radiation Exposure

This equipment complies with FCC/IC radiation exposure limits set forth for an uncontrolled environment. This equipment should be installed and operated with a minimum distance of 20 cm between the radiator and the user's body.

---

**Warning:** *This gateway is only to be installed by qualified personnel.*

---

To comply with FCC/IC regulations limiting both maximum RF output power and human exposure to RF radiation, maximum antenna gain must not exceed the values given in the tables in [Maximum Antenna Gain \(Gain D'antenne Maximal\)](#) on page 71.

---

**Warning:** *A minimum separation distance of 20 cm must be maintained between the antenna(s) used for this transmitter and all personnel.*

---

## Informations Importantes Pour les Utilisateurs Nord-Américains sur L'exposition aux Radiations

Ce matériel est conforme aux limites établies par FCC/IC en matière d'exposition aux radiofréquences dans un environnement non contrôlé. Ce matériel doit être installé et utilisé à une distance d'au moins 20 cm entre l'antenne et le corps de l'utilisateur.

---

**Avertissement :** *Ce produit est uniquement être installé par du personnel qualifié.*

---

Pour se conformer aux normes FCC/IC réglementation limitée à la fois la puissance maximale de sortie RF et l'exposition humaine aux rayonnements RF, gain d'antenne maximal ne doit pas dépasser les valeurs indiquées dans les tableaux de la section de gain d'antenne maximal.

---

**Avertissement :** *Une distance minimale de 20 cm doit être maintenue entre l'antenne (s) utilisées pour cet émetteur et l'ensemble du personnel.*

---



## Maximum Antenna Gain (Gain D'antenne Maximal)

The Wi-Fi X-Card may transmit simultaneously with other collocated radio transmitters within a host device, as permitted by FCC/IC multi-transmitter product procedures. The antenna gain must not exceed the limits and configurations shown in the following tables:

Gateway	Frequency Band	FCC ID / IC Number			
		N7NMC8705/ 2417C-MC8705		N7N-MC5728/ 2417C-MC5728	
		Standalone	Collocated	Standalone	Collocated
GX400	Cellular Band	7.5 dBi	6 dBi	4.55 dBi	3 dBi
	PCS Band	3 dBi	3 dBi	2.85 dBi	2.5 dBi
Collocated Transmitter (Wi-Fi X-Card Option)	WLAN (2.4 GHz)	N/A	2 dBi	N/A	2 dBi

Device	Frequency Band	FCC ID / IC Number				
		N7NMC7700/ 2417C-MC7700			N7NMC7750/ 2417C-MC7750	
		Standalone	Collocated General Use <sup>a</sup>	Collocated Controlled Use <sup>b</sup>	Standalone	Collocated
GX440	Cellular Band	7 dBi	4 dBi	7 dBi	7.5 dBi	5.5 dBi
	PCS Band	3 dBi	3 dBi	3 dBi	3 dBi	3 dBi
	LTE Band 4	5 dBi	5 dBi	5 dBi	N/A	
	LTE Band 13	N/A			10.17 dBi	6.4 dBi
	LTE Band 17	7 dBi	5 dBi	7 dBi	N/A	
Collocated Transmitter (Wi-Fi X-Card Option)	WLAN (2.4 GHz)	N/A	2 dBi	2 dBi	N/A	2 dBi

- a. General use refers to a device that can be used by the general public.  
b. Controlled use refers to a device that is intended to be used by persons who are fully aware of, and can exercise control over, their exposure. Controlled use devices are typically installed in non-public areas and are not intended for use by members of the general public.

Device	Frequency Band	FCC ID/IC Number	
		Standalone	Collocated
		<b>N7NMC7355</b> <b>2417C-MC7355</b>	
GX450	Cellular Band	6.5 dBi	3.0 dBi
	PCS Band	3.0 dBi	3.0 dBi
	Band 4	6.0 dBi	6.0 dBi
	Band 13	9.0 dBi	6.0 dBi
	Band 17	9.0 dBi	6.0 dBi
	Band 25	3.0 dBi	3.0 dBi
Collocated Transmitter (Wi-Fi X-Card Option)	WLAN (2.4 GHz)	N/A	2.0 dBi

## EU (AirLink GX400 and GX450 Only)

Sierra Wireless hereby declares the AirLink GX400 and AirLink GX450 conform to all the essential requirements of Directive 1999/5/EC.

These products display the CE mark.



The AirLink GX400 and AirLink GX450 are compliant with the RF exposure requirements at 20 cm separation distance specified in EN 62311:2008 and 1999/519/EC for mobile exposure conditions, provided the maximum antenna gain does not exceed the limits given in the table below.

Model	Frequency Band	Maximum Antenna Gain (dBi)
GX400 (MC8705 module)	WWAN	5.00
GX450 (MC7304 module)	WWAN	5.00
Optional Wi-Fi X-Card	WLAN (2.4 GHz)	2.00

*Note: The Wi-Fi X-Card only works in the 2.4 GHz band.*

**Warning:** *These products are only to be installed by qualified personnel.*

---

**Warning:** Changes or modifications to this gateway not expressly approved by Sierra Wireless could void the user's authority to operate this equipment.

---

---

**Warning:** A minimum separation distance of 20 cm must be maintained between the antenna(s) used for this transmitter and all personnel.

---

## Declaration of Conformity

The Declaration of Conformity made under Directive 1999/5/EC is available for viewing at: [source.sierrawireless.com](http://source.sierrawireless.com).

### WEEE Notice



If you purchased your AirLink GX Series gateway in Europe, please return it to your dealer or supplier at the end of its life. WEEE products may be recognized by the wheeled bin label on the product label.



# ➤➤ A: Accessories

## DC Power Cable (Black Connector)

**Table A-1: DC Power Cable**

DC Power Cable	
Part Number	2000522
Product Release	2016

### Components:

- ① 1 UL2464 20 AWG x 4 core cable
- ② 4 Molex female crimp terminals /AWG 20-24, 250V, 4A Max, phosphor bronze tin-plated (part number 43030-0001)
- ③ 1 Molex male 2x2P Ph: 3.0 mm housing, 250V, 5 A max, PA65 black UL94V-O (part number 43025-0408)

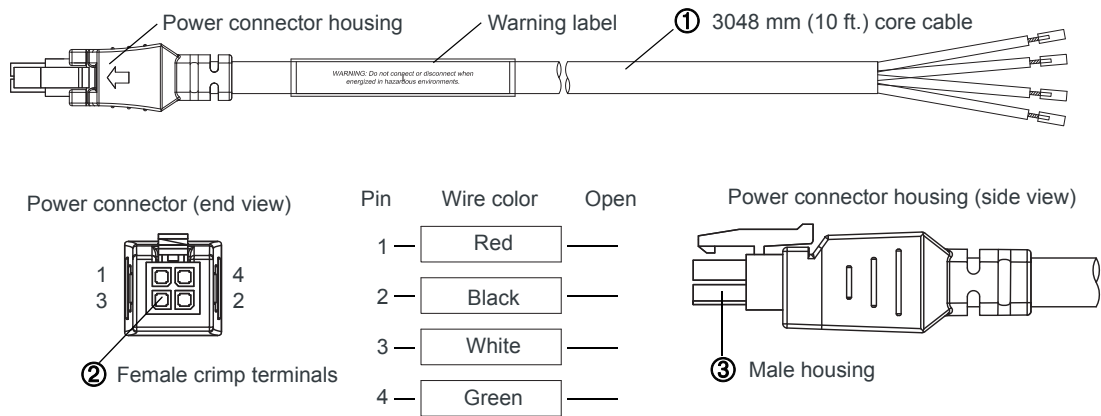


Figure A-1: DC Cable Specifications

## AC Power Adapter (Black Connector)

AC Power Adapter	
Part Number	2000579
Product Release Date	2016

## AC Power Adapter Input

**Table A-2: Input Specifications**

	Minimum	Typical	Maximum
<b>Input</b>			
Input Voltage	90 VAC	100–240 VAC	264 VAC
Input Frequency	47 Hz	50/60 Hz	63 Hz
<p><i>Note: Input voltage range is 90 VAC to 264 VAC. Maximum input current is 500 mA at 100–240 VAC. Inrush current will not exceed 75 A at 100–240 VAC input and maximum load from a cold start at 25°C.</i></p>			

## AC Power Adapter Output

**Table A-3: AC Power Adapter Output Specifications**

	Minimum	Typical	Maximum	Test conditions
Output Voltage	11.4 VDC	12.0 VDC	12.6 VDC	0 ~ 1.5 A loading

# AC Power Adapter Environmental Specifications

**Table A-4: AC Power Adapter Environmental Specifications**

<b>Operating</b>	
Operating Temperature	0°C ~ 40°C (operates normally)
Relative Humidity	10% ~ 90%
Altitude	Sea level to 2,000 meters
Vibration	1.0 mm, 10–55 Hz, 15 minutes per cycle for each axis (X, Y, Z)
<b>Non-operating</b>	
Storage Temperature	-30°C ~ 70°C
Relative Humidity	10% ~ 90%
Vibration and Shock	MIL-STD-810D, method 514

## AC Power Adapter Reliability and Quality Control

### AC Power Adapter MTBF

When the power supply is operating within the limits of this specification, the MTBF is at least 200,000 hours at 25°C (MIL-HDBK-217F).

---

*Note: For router MTBF, see [Reliability](#) on page 67.*

---

## AC Power Adapter Safety Standards

The power supply is certified with the following international regulatory standards:

<b>Regulatory Agency</b>	<b>Country or Region</b>	<b>Certified</b>	<b>Standard</b>
UL	USA	Approved	UL60950-1
GS	Europe	Approved	EN60950-1
CE	Europe	Approved	EN60950-1
SAA	Australia	Approved	AS/NZS 60950
CCC	China	Approved	GB4943
CUL	Canada	Approved	CSA C22.2 NO.60950-1

## AC Power Adapter EMC Standards

The power supply meets the radiated and conducted emission requirements for EN55022, FCC Part 15, Class B, GB9254.

## Hazardous Substances

- EU Directive 2011/65/EU “RoHS”
- EU Directive 2012/19/EU “WEEE”
- REACH

## Energy Efficiency

The AC adapter complies with International Efficiency Levels, as shown in [Table A-5](#).

**Table A-5: AC Adapter Energy Efficiency**

Supplied Input	No-load Power Consumption	Average Active Mode Efficiency	International Efficiency Level
115 VAC, 60 HZ.	Less than 0.1 W	Greater than 85%	VI
230 VAC, 50 Hz.	Less than 0.3 W	Greater than 80.4%	V



# »» Index

## A

- AC Power Adapter, 75
- Accessories, 15
- ACEmanager, 15
- AirLink Management Service (ALMS), 15
- ALEOS
  - default user name and password, 49
  - description of, 14
  - X-Card installed, 41
- ALEOS Application Framework, 64
- Analog input voltage sensing
  - on power connector, 39
  - on X-Card, 42
- Antenna
  - auxiliary receive port, 13
  - connection of, 33
  - Diversity/AUX, 13
  - GPS connector, 13
  - installation, 31
  - maximum gain, 12, 71
  - receive and transmit port, 12
  - safe mounting, 29
  - separation, 31
- AUX/Diversity antenna connector, 13

## C

- Cables
  - connecting to gateway, 33
  - power and data, connection of, 33
- Certifications, 67
- Communication
  - command line prompt, using, 34
  - connection, 33
  - Ethernet connector, 13
  - TCP PAD, 13
  - UDP PAD, 13
  - virtual Ethernet/serial port via USB, 13
  - Wi-Fi X-Card, 42
  - X-Card RS-232 port, 42
- Configuring with
  - ACEmanager, 49
  - AirLink Management Service, 52
  - AT commands, 52
- Connecting to gateways and power, 33
- Construction materials, 67

## D

- DC Power Cable
  - connecting, 36, 38
- Default settings for gateway, reset to, 12
- Description, gateway, 12
- Digital I/O pins on X-Card, 42
- Diversity/AUX Antenna Connector, 13

- Dual Ethernet X-Card, 14

## E

- Environmental specifications, 65
- Ethernet
  - computer connection and log in, 49
  - connector, 13
  - virtual Ethernet/serial port, 49
- EU, 72
- Events reporting, 63
- Expansion Card, 41

## F

- FCC, 69
- Front panel, 12

## G

- Gateway
  - description, 12
  - front panel, 12
  - installing, 17
  - rear panel, 12
  - tools and material, 17
- GPS
  - antenna connector, 13
  - antenna, mounting, 33
  - technology supported, 63

## H

- Host interfaces, 62

## I

- I/O X-Card, 14
- Industry Canada, 69
- Input/Output X-Card, 42
- installation, 17
- Installing SIM card, 18
- IP address, obtaining with command line prompt, 34

## L

- LED
  - also see specific LED, 12
  - description of LED, 34
  - Ethernet, 36

## M

- Measuring external voltages, 39

Mechanical specifications, [68](#)

Mounting

    general instructions, [29](#)

    GPS antenna, [33](#)

    in vehicle, [29](#)

MTBF

    AD adapter, [77](#)

    gateway, [67](#)

## O

Output/Input X-Card, [42](#)

## P

Pinging gateway with command line prompt, [34](#)

Power consumption, [64](#)

Power, connector, measuring external voltages, [39](#)

Protocols, [63](#)

## R

Radiation exposure, [70](#)

Radio frequency bands supported, [55](#)

Rear panel, [12](#)

Receive port, backup, [13](#)

Regulatory information, [69](#)

Regulatory specifications, [78](#)

Reliability, [67](#)

Reset button, [12](#)

RS-232 port

    on rear panel, [13](#)

    on X-Card, [42](#)

## S

Safety and Hazards, [3](#)

Serial port

    RS-232, [13](#)

    virtual serial port, [49](#)

SIM card, installing, [18](#)

Specifications, [55](#)

Standards, regulatory, [78](#)

## T

TCP PAD, [13](#)

## U

UDP PAD, [13](#)

USB port

    on front panel, [13](#)

    uses of, installing drivers for, [49](#)

## V

Vehicle

    antenna, safe mounting, [29](#)

    mounting, [30](#)

Virtual Ethernet port, [13](#)

Voltage

    analog voltage sensing pins on X-Card, [42](#)

    monitoring battery or power input, [39](#)

    range, [67](#)

VPN/Security, [63](#)

## W

Warranty, [16](#)

Wi-Fi X-Card, [42](#)

## X

X-Card, [14](#), [41](#)

    analog voltage input pins, [45](#)

    description, [14](#)

    digital I/O, analog voltage sensing, pins, [42](#)

    Dual Ethernet, specifications, [66](#)

    I/O specifications, [66](#)

    installed indicator in ALEOS, [41](#)

    Wi-Fi, [42](#)

    Wi-Fi specifications, [65](#)





**SIERRA**  
WIRELESS®